



Parts catalogue

BULL MOWER

(EXPORT MODEL)

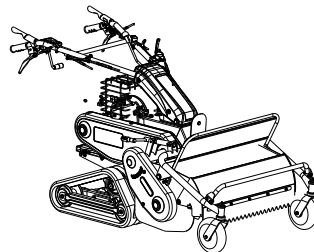
HRC663/673/813

HRC663 : Serial Number : YK20M00326 ~

HRC673 : Serial Number : YK20J00197 ~

HRC813 : Serial Number : YL20J00110 ~

MODEL	CODE
HRC663/H	0334-○○○○○
HRC673/H	0334-○○○○○
HRC813/H	0335-○○○○○



CONTENTS

Fig. 1	HANDLE	-----	1
Fig. 2	FRAME	-----	4
Fig. 3	TRANSMISSION	-----	9
Fig. 4	ROTARY COVER	-----	15
Fig. 5	CRAWLER	-----	20
Fig. 6	ENGINE	-----	23
Fig. 7	LABEL	-----	25



Update : Dec.2023

MEMO

*1) Interchangeable

*2) Serial Number : HRC663 : -
HRC673 : ~ YK20K00238
HRC813 : ~ YL20K00139

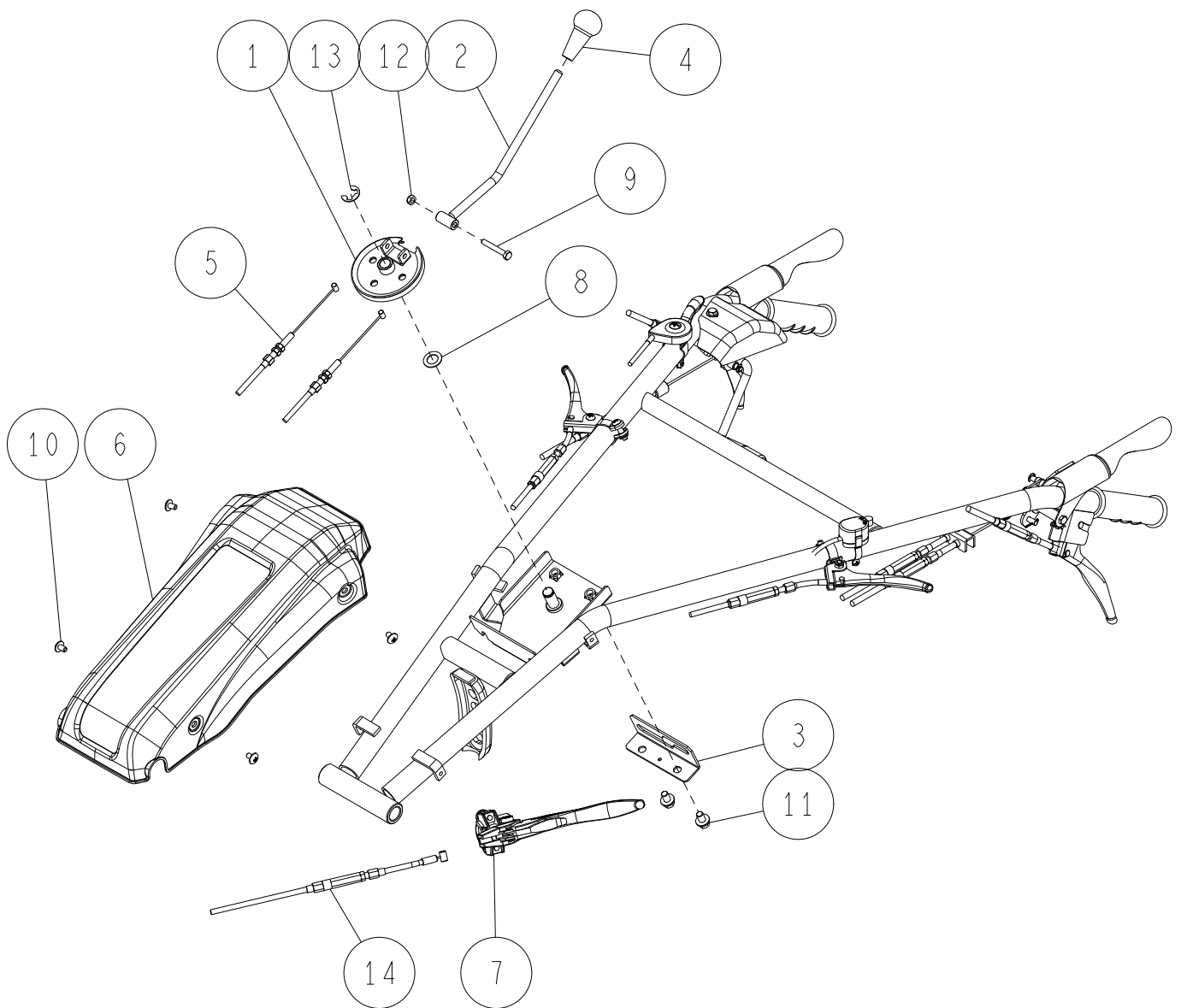
*3) Serial Number : HRC663 : YK20M00326 ~
HRC673 : YK20L00239 ~
HRC813 : YL20L00140 ~

R/P) Recommend Parts

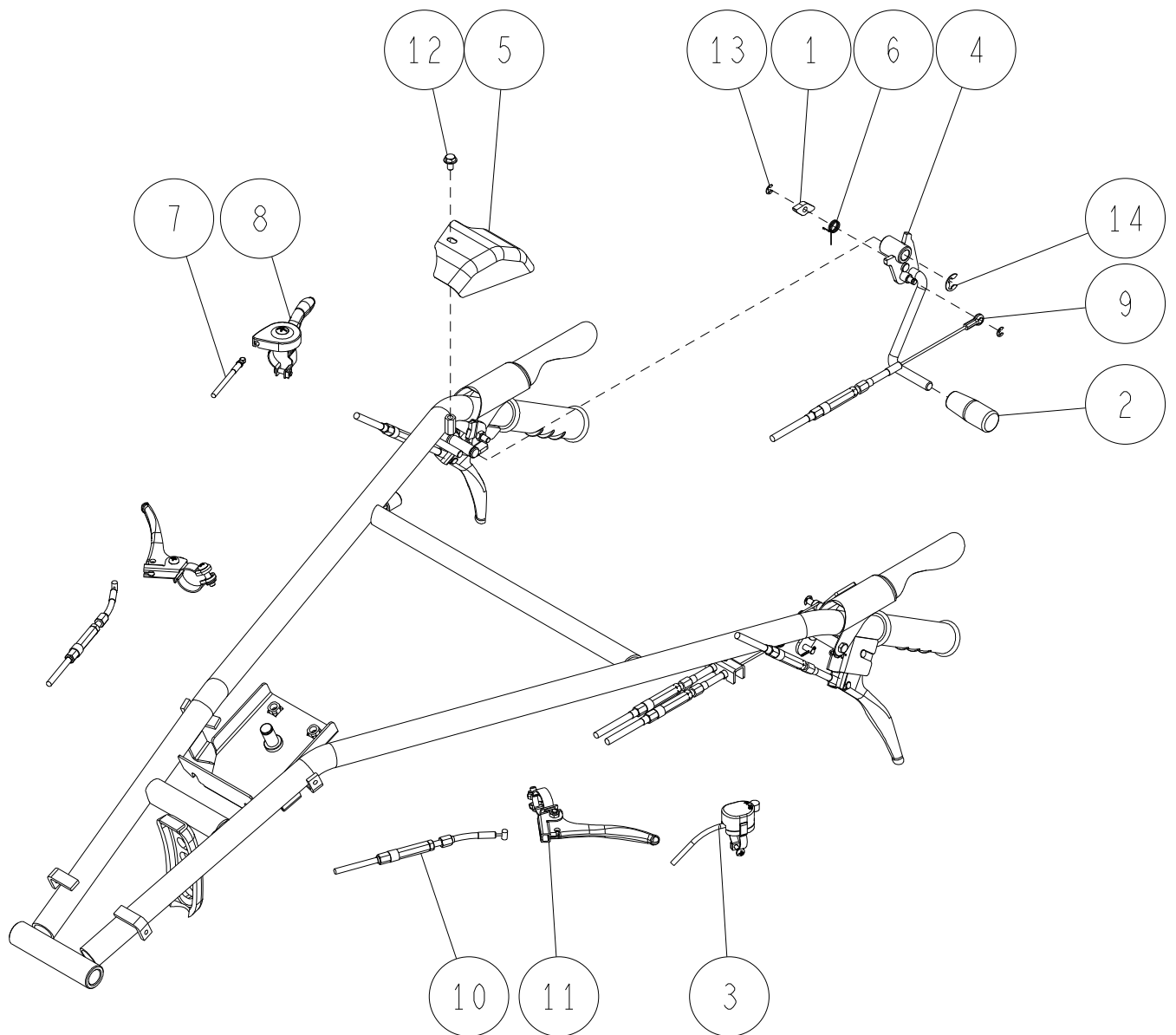
★★ : Highly recommended

★ : Recommended

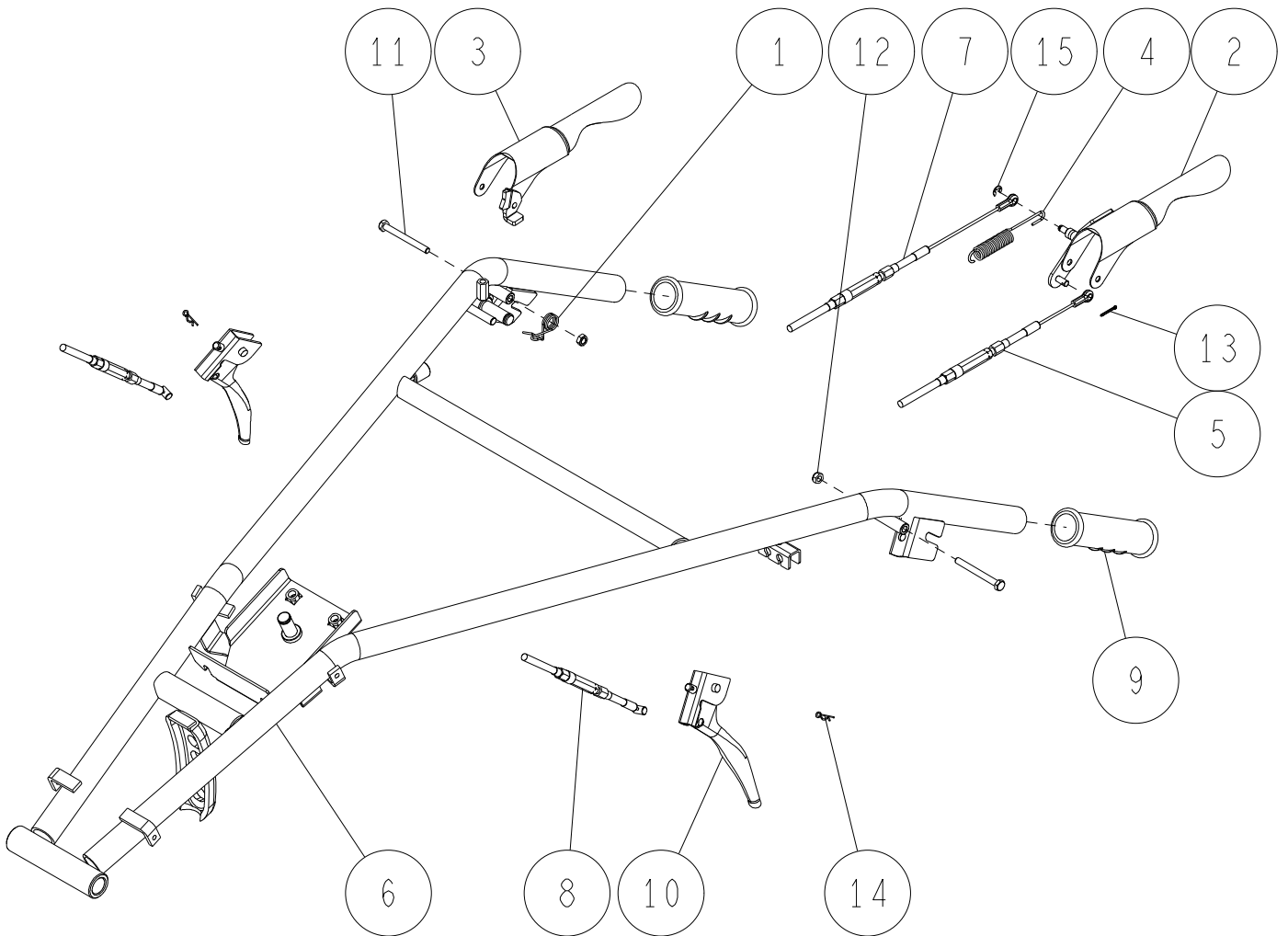
Painted Parts



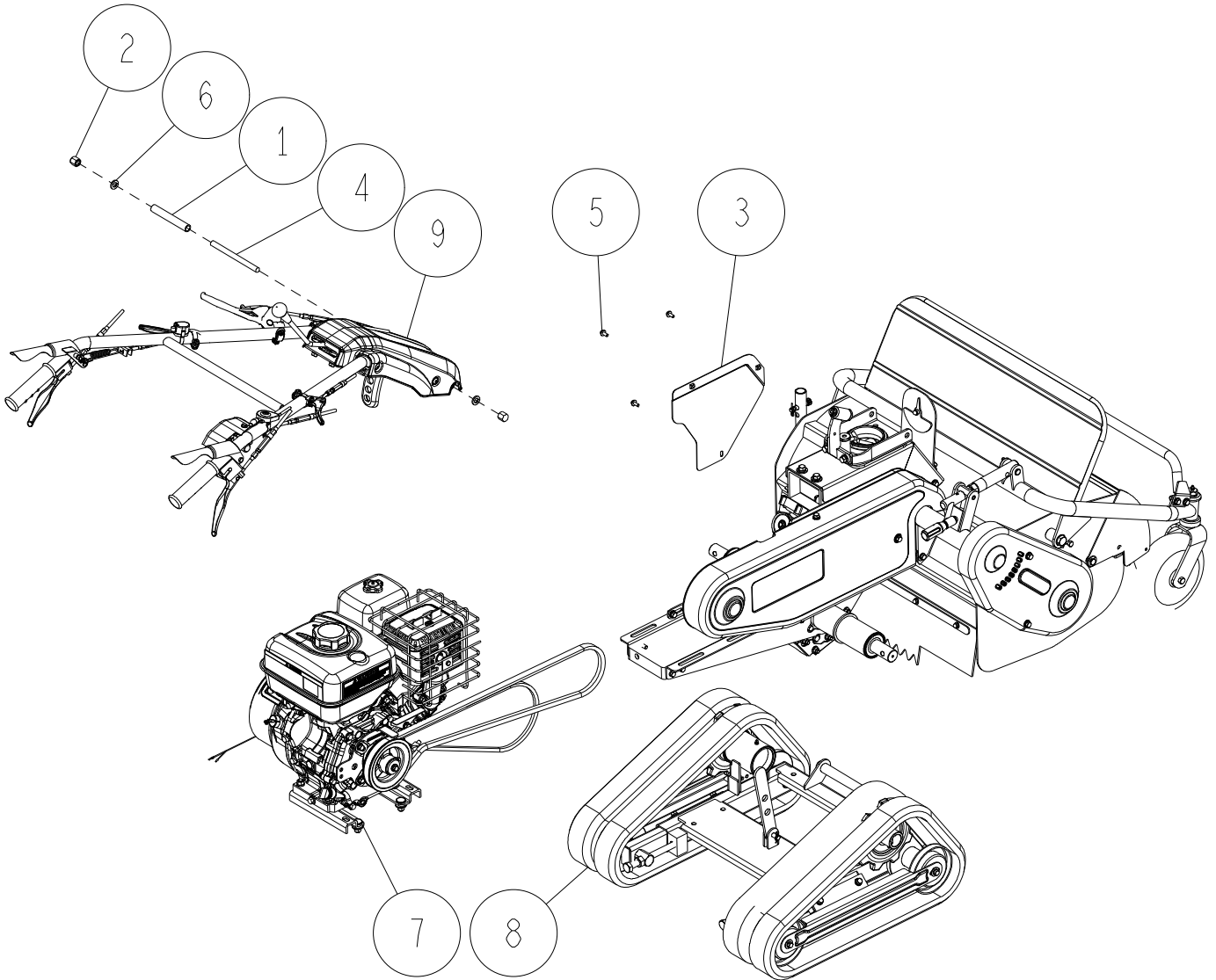
Ref.	Parts Number	Parts Name	Quantity			Remarks	R/P
			HRC663	HRC673	HRC813		
1	0334-1020 ¹	Wire Guide (H) CMP (White)	1	1	1		
2	0334-10300	Change Lever CMP	1	1	1		
3	0334-1230 ¹	Change Guide (White)	1	1	1		
4	0334-70200	Lever Grip 10 (Black)	1	1	1		
5	0336-70100	Change Wire	2	2	2		★
6	0935-70200	Handle Bonnet	1	1	1		
7	83-1182-455-10	Lever 2705-S820M		1	1		
8	83-1675-375-00	Thrust Washer 14*23*1.0	1	1	1		
9	89-1111-060402	Hexagonal Bolt M6*40	1	1	1		
10	89-1159-060108	Truss Mini Screw M6*10	4	4	4		
11	89-1233-080162	Mini Hexagonal Bolt (PWSW) M8*16	2	2	2		
12	89-1551-060002	Hexagonal U Nut M6	1	1	1		
13	89-2521-000120	E Type Ring 12	1	1	1		
14	0251-72130	Up/Down, Right/Left Wire		1	1		★



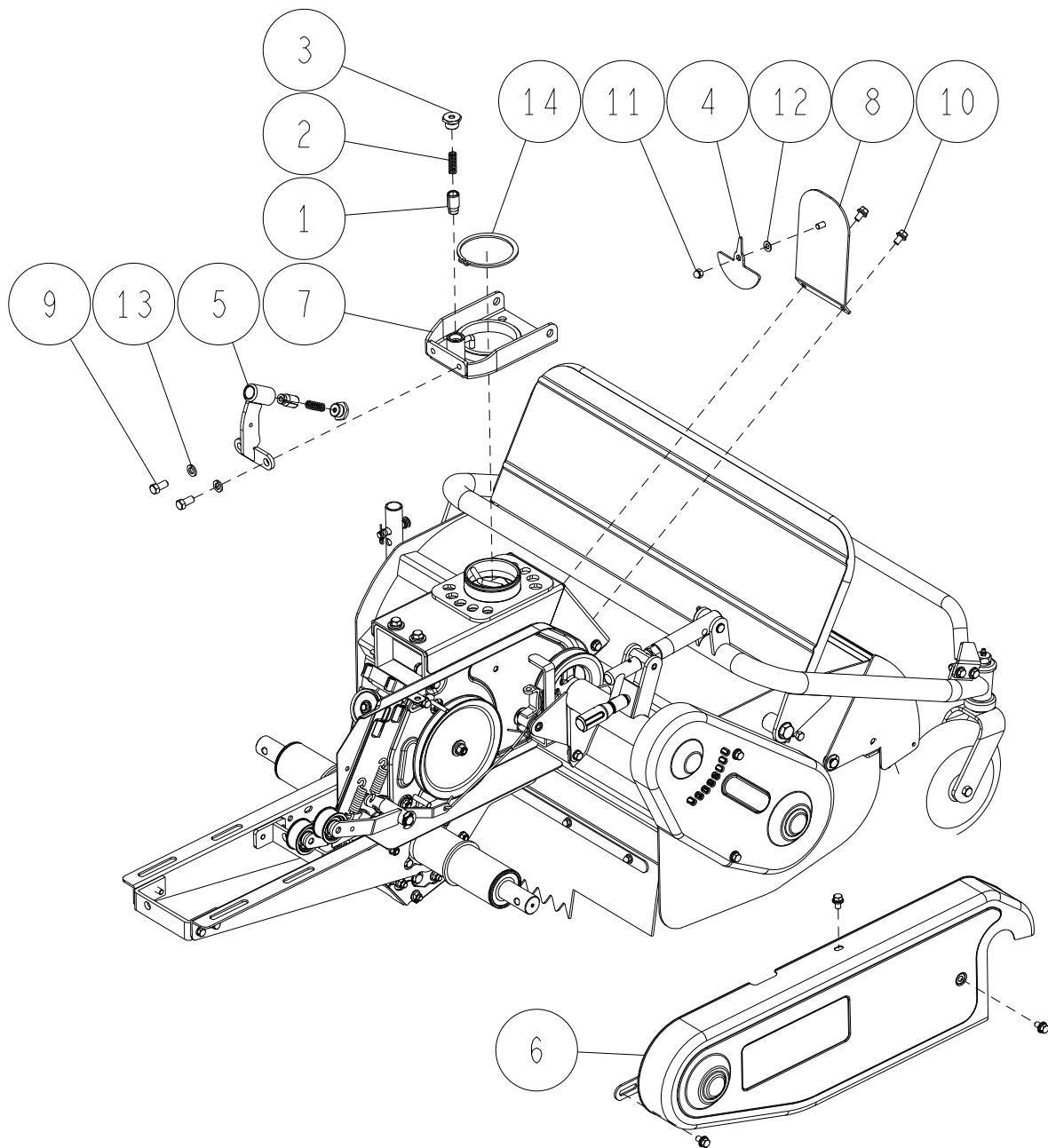
Ref.	Parts Number	Parts Name	Quantity			Remarks	R/P
			HRC663	HRC673	HRC813		
1	80-1417-253-00	Stopper	1	1	1		★
2	0334-75200	Lever Grip (Red) 10	1	1	1		
3	80-1614-280-00	Switch Assy	1	1	1		★
4	0211-20400	Blade Tension Lever	1	1	1		
5	0211-20501	Upper Cover (White)	1	1	1		
6	0211-70410	Stopper Return Spring	1	1	1		★★
7	0301-71200	Throttle Wire (GX270.340)	1	1	1		★
8	0301-77100	Throttle Lever 27 (Steel)	1	1	1		★
9	0334-70700	Tension Wire	1	1	1		★
10	83-1110-965-20	Tension Wire	2	2	2		★
11	83-1415-453-10	Lever 27-05-0822S	2	2	2		
12	89-1137-060122	Hexagonal Bolt (PW) M6*12	1	1	1		
13	89-2521-000050	E Type Ring 5	2	2	2		★
14	89-2521-000100	E Type Ring 10	1	1	1		



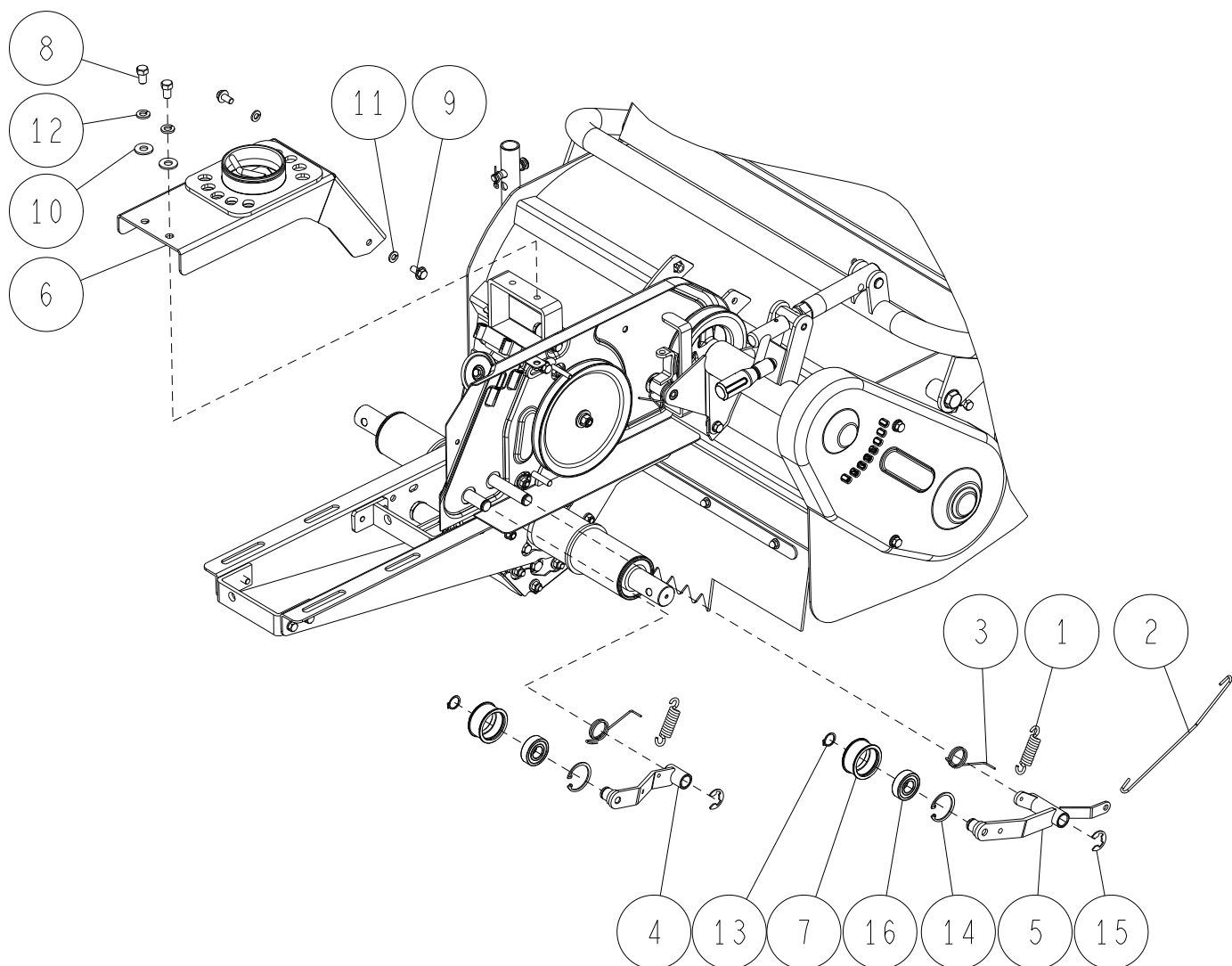
Ref.	Parts Number	Parts Name	Quantity			Remarks	R/P
			HRC663	HRC673	HRC813		
1	80-1417-971-10	Blade Clutch Lever Return Spring	1	1	1		★
2	0211-20200	Driving Clutch Lever	1	1	1		
3	0211-20300	Blade Clutch Lever	1	1	1		
4	0211-20600	Brake Spring	1	1	1		
5	0304-70610	Brake Wire	1	1	1		★
6	0334-12111	Handle CMP (White)	1	1	1		
7	0334-70700	Tension Wire	1	1	1		★
8	0334-70800	Side Clutch Wire	2	2	2		★
9	0334-75300	Handle Grip 27	2	2	2		
10	83-1761-457-00	Side Clutch Lever	2	2	2		★
11	89-1113-060602	Hexagonal Bolt (8T) M6*60	2	2	2		
12	89-1551-060002	Hexagonal U Nut M6	2	2	2		
13	89-2120-200152	Split Pin 2*15	1	1	1		
14	89-2131-060002	Snap Pin 6	2	2	2		
15	89-2521-000050	E Type Ring 5	1	1	1		



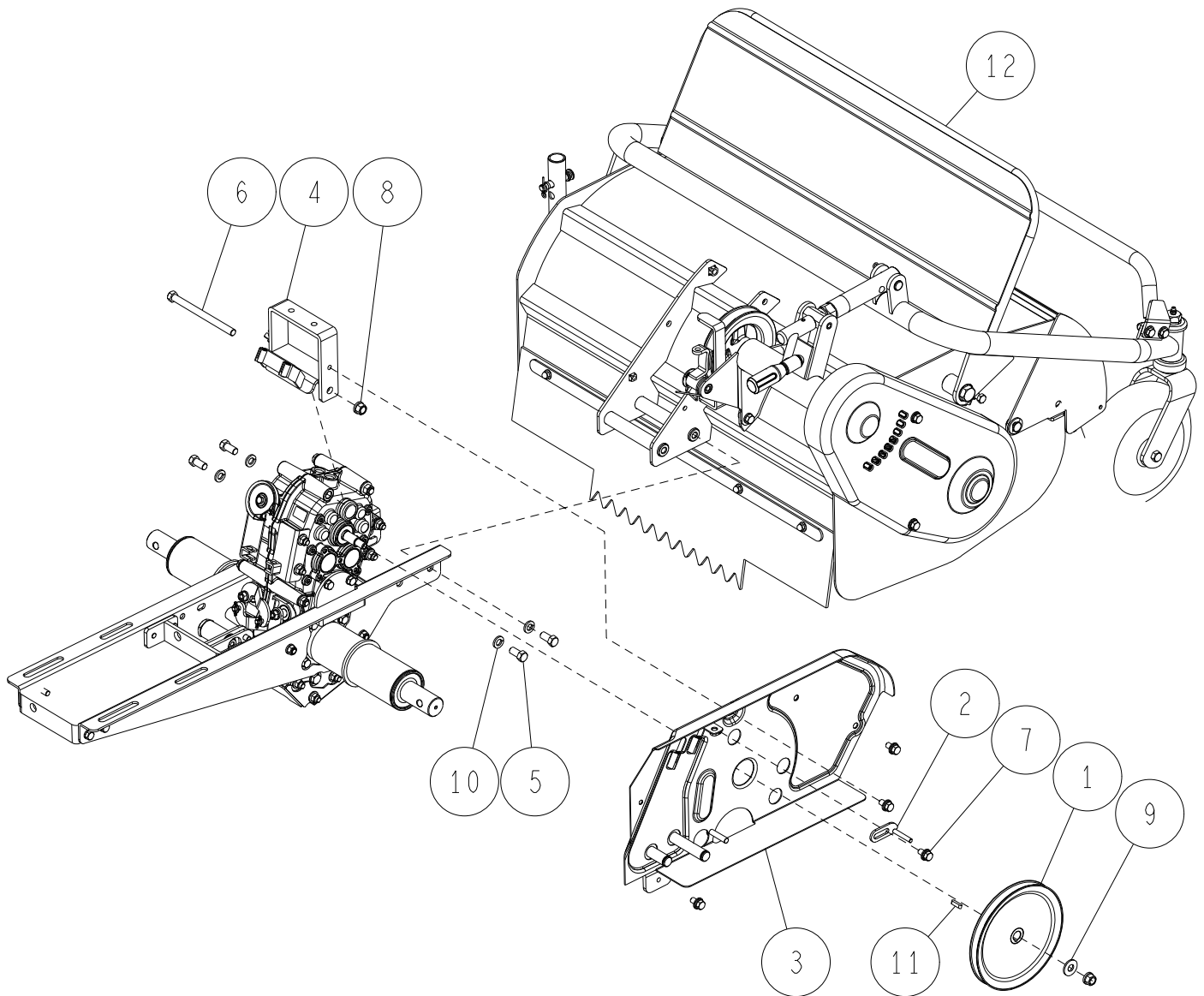
Ref.	Parts Number	Parts Name	Quantity			Remarks	R/P
			HRC663	HRC673	HRC813		
1	80-1210-222-00	Handle Setting Collar	1	1	1		
2	80-1310-228-00	Handle Fix Nut	2	2	2		
3	0334-6010G	Side Cover CMP (Green)	1	1	1		
4	83-1210-133-00	Setting Bolt M12*160	1	1	1		
5	89-1137-060152	Hexagonal Bolt (PW) M6*15	3	3	3		
6	89-1750-120002	Spring Washer 12	2	2	2		
7	Engine Part	-	1	1	1	Page 23 ~	
8	Crawler Part	-	1	1	1	Page 20 ~	
9	Handle Part	-	1	1	1	Page 1 ~	



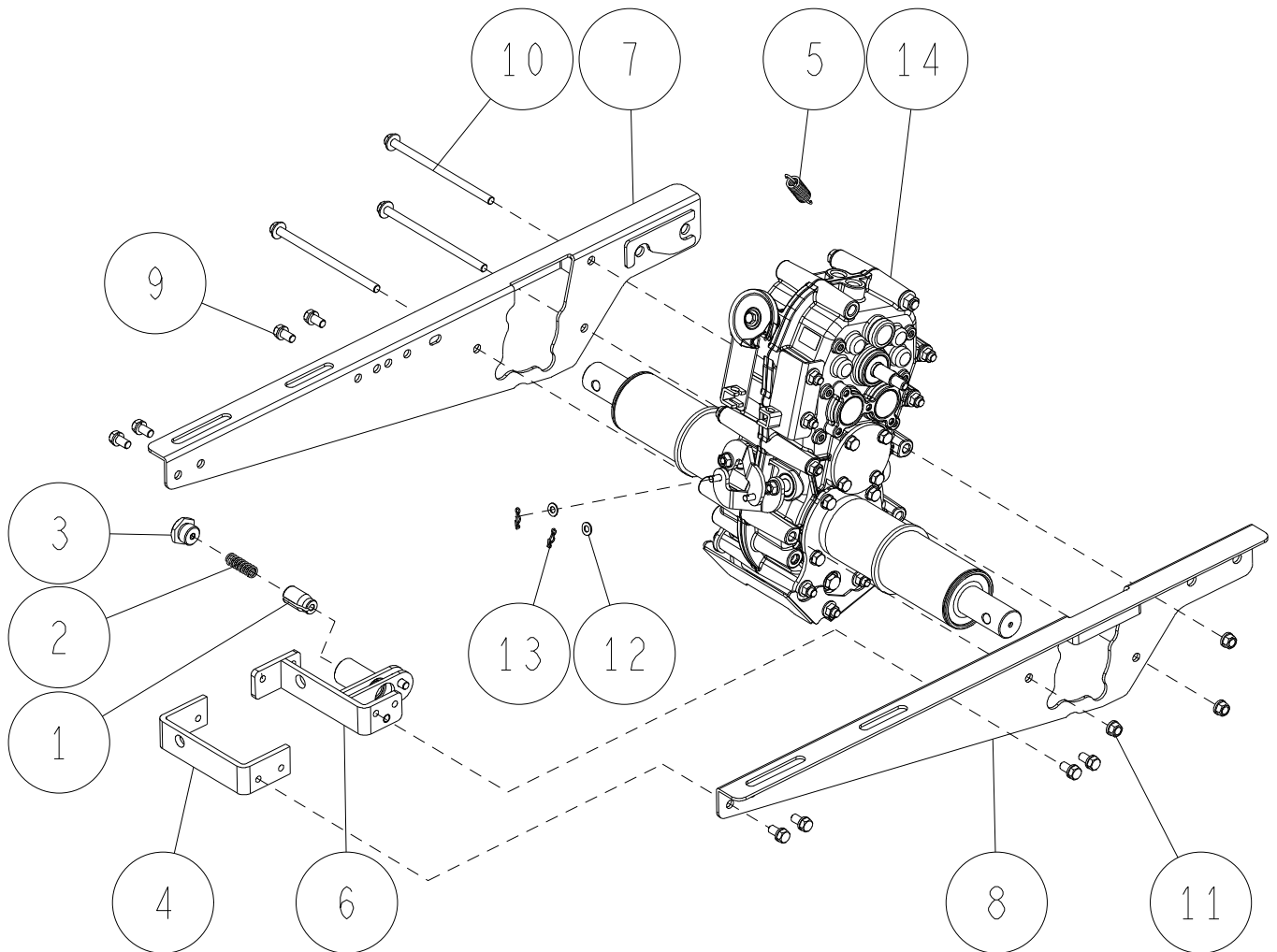
Ref.	Parts Number	Parts Name	Quantity			Remarks	R/P
			HRC663	HRC673	HRC813		
1	80-1210-216-00	Stopper Pin	2	2	2		
2	80-1210-217-00	Stopper Spring	2	2	2		
3	80-1310-215-00	Stopper Cap	2	2	2		
4	0227-12210	Pointer for Clinometer	1	1	1		
5	0302-1010G	Handle Up/Down Stopper Arm CMP (GX270.340) (Green)	1	1	1		
6	0304-62101	Belt Cover Outside CMP (GX270) (White)	1	1			
	0302-60101	Belt Cover Outside CMP (GX340) (White)			1		
7	0334-2030G	Turntable for Handle (Green)	1	1	1		
8	0334-2120G	Clinometer Panel CMP (Green)	1	1	1		
9	89-1211-100202	Mini Hexagonal Bolt M10*20	2	2	2		
10	89-1233-080162	Mini Hexagonal Bolt (PWSW) M8*16	5	5	5		
11	89-1563-080003	Bag Hexagonal U Nut M8	1	1	1		
12	89-1711-080002	Flat Washer 8	1	1	1		
13	89-1750-100002	Spring Washer 10	2	2	2		
14	89-2511-000850	Snap Ring (S85)	1	1	1		



Ref.	Parts Number	Parts Name	Quantity			Remarks	R/P
			HRC663	HRC673	HRC813		
1	80-1560-551-00	Return Spring	2	2	2		
2	80-1614-374-30	Brake Rod	1	1	1		
3	80-1614-552-00	Tension Spring	2	2	2		★
4	0211-5420 ¹	Driving Tension Arm (White)	1	1	1		
5	0256-4040 ¹	Knife Tension Arm (White)	1	1	1		
6	0334-2110 ^G	Under Bonnet CMP (Green)	1	1	1		
7	83-1032-765-00	Tension Pulley	2	2	2		★
8	89-1211-100162	Mini Hexagonal Bolt M10*16	2	2	2		
9	89-1253-080162	Flange Mini Hexagonal Bolt (8T) M8*16	2	2	2		
10	89-1713-100002	Flat Washer 10 (large)	2	2	2		
11	89-1750-080002	Spring Washer 8	2	2	2		
12	89-1750-100002	Spring Washer 10	2	2	2		
13	89-2511-000170	Snap Ring (S17)	2	2	2		
14	89-2512-000400	Snap Ring (R40)	2	2	2		
15	89-2521-000150	E Type Ring 15	2	2	2		
16	89-3115-062034	Bearing 6203 2RS	2	2	2		★

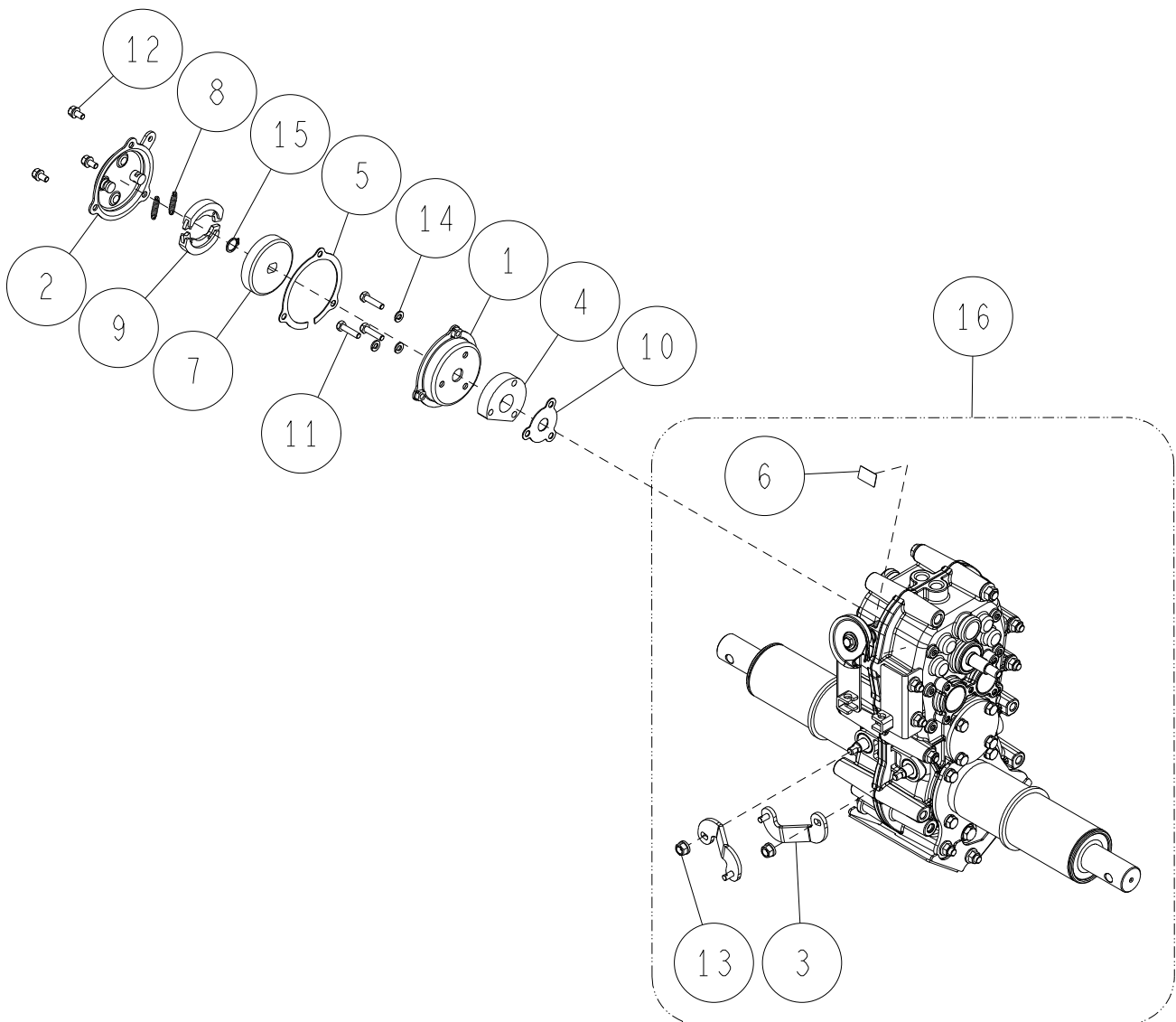


Ref.	Parts Number	Parts Name	Quantity			Remarks	R/P
			HRC663	HRC673	HRC813		
1	80-1614-521-01	Transmission Pulley (White)	1	1	1		
2	0225-40601	Belt Holder CMP (White)	1	1	1		
3	0304-62201	Belt Cover Inside CMP (GX270.340) (White)	1	1	1		
4	0334-2010G	Under Bonnet Setting CMP (Green)	1	1	1		
5	89-1213-100202	Mini Hexagonal Bolt (8T) M10*20	4	4	4		
6	89-1213-101302	Mini Hexagonal Bolt (8T) M10*130	1	1	1		
7	89-1233-080162	Mini Hexagonal Bolt (PWSW) M8*16	4	4	4		
8	89-1543-100002	Mini Hexagonal Nut (SW) M10	2	2	2		
9	89-1713-100002	Flat Washer 10 (large)	1	1	1		
10	89-1750-100002	Spring Washer 10	4	4	4		
11	89-2150-050200	Key 5*20 (round)	1	1	1		
12	Rotary Cover Part	-	1	1	1	Page 15 ~	

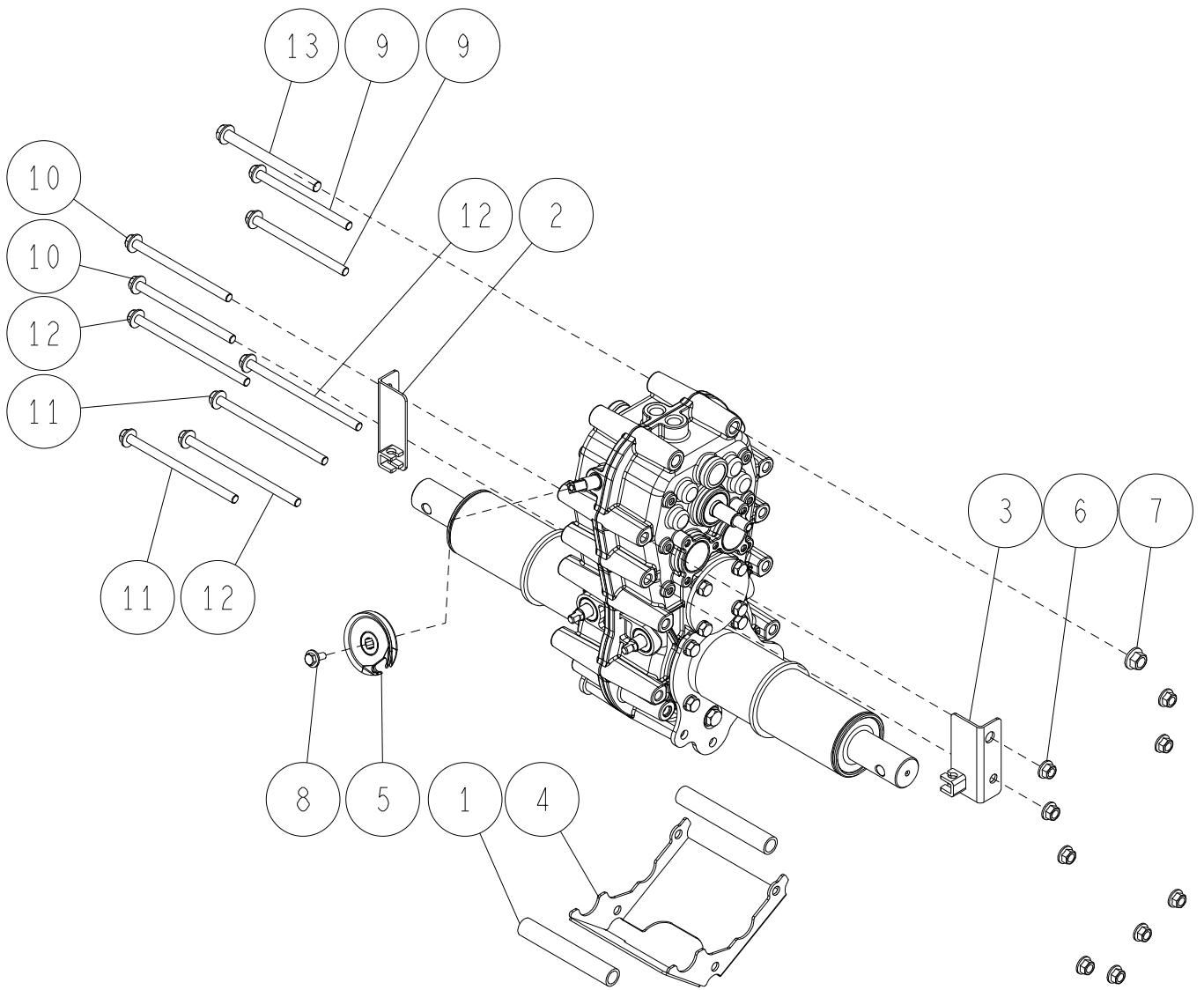


Ref.	Parts Number	Parts Name	Quantity			Remarks	R/P
			HRC663	HRC673	HRC813		
1	80-1210-216-00	Stopper Pin		1	1		
2	80-1210-217-00	Stopper Spring		1	1		
3	80-1310-215-00	Stopper Cap		1	1		
4	80-1415-326-0G	Rear Bracket (Green)	1	1	1		
5	80-1614-315-00	Return Spring	1	1	1		
7	0295-8010H	Crawler Fix Bracket (Metallic Grey)		1	1		
	0301-2010G	Main Frame (L) CMP (HRC:GX270) (Green)	1	1			
8	0304-2010G	Main Frame (L) CMP (Green)			1		
	0301-2020G	Main Frame (R) CMP (HRC:GX270) (Green)	1	1			
	0304-2020G	Main Frame (R) CMP (Green)			1		
9	89-1232-080162	Mini Hexagonal Bolt (SW) M8*16	4	8	8		
10	89-1253-081453	Flange Mini Hexagonal Bolt (8T) M8*145	3	3			
	89-1253-081503	Flange Mini Hexagonal Bolt (8T) M8*150			3		
11	89-1543-080002	Mini Hexagonal Nut (SW) M8	3	3	3		
12	89-1711-060002	Flat Washer 6	2	2	2		
13	89-2132-060002	Snap Pin 6 (with stopper)	2	2	2		
14	Transmission Part	-	1	1	1	Page 9 ~	

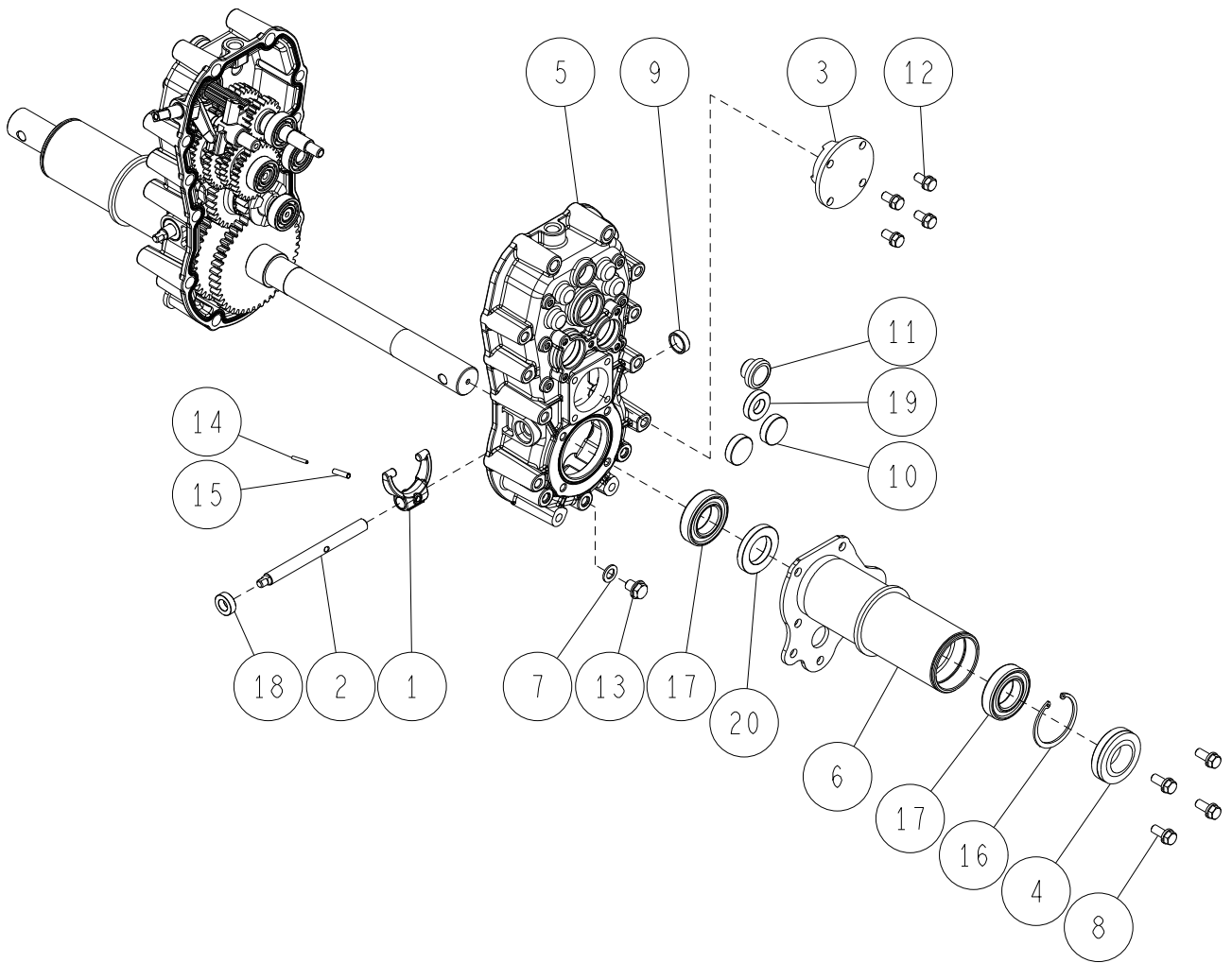
Transmission 1/6



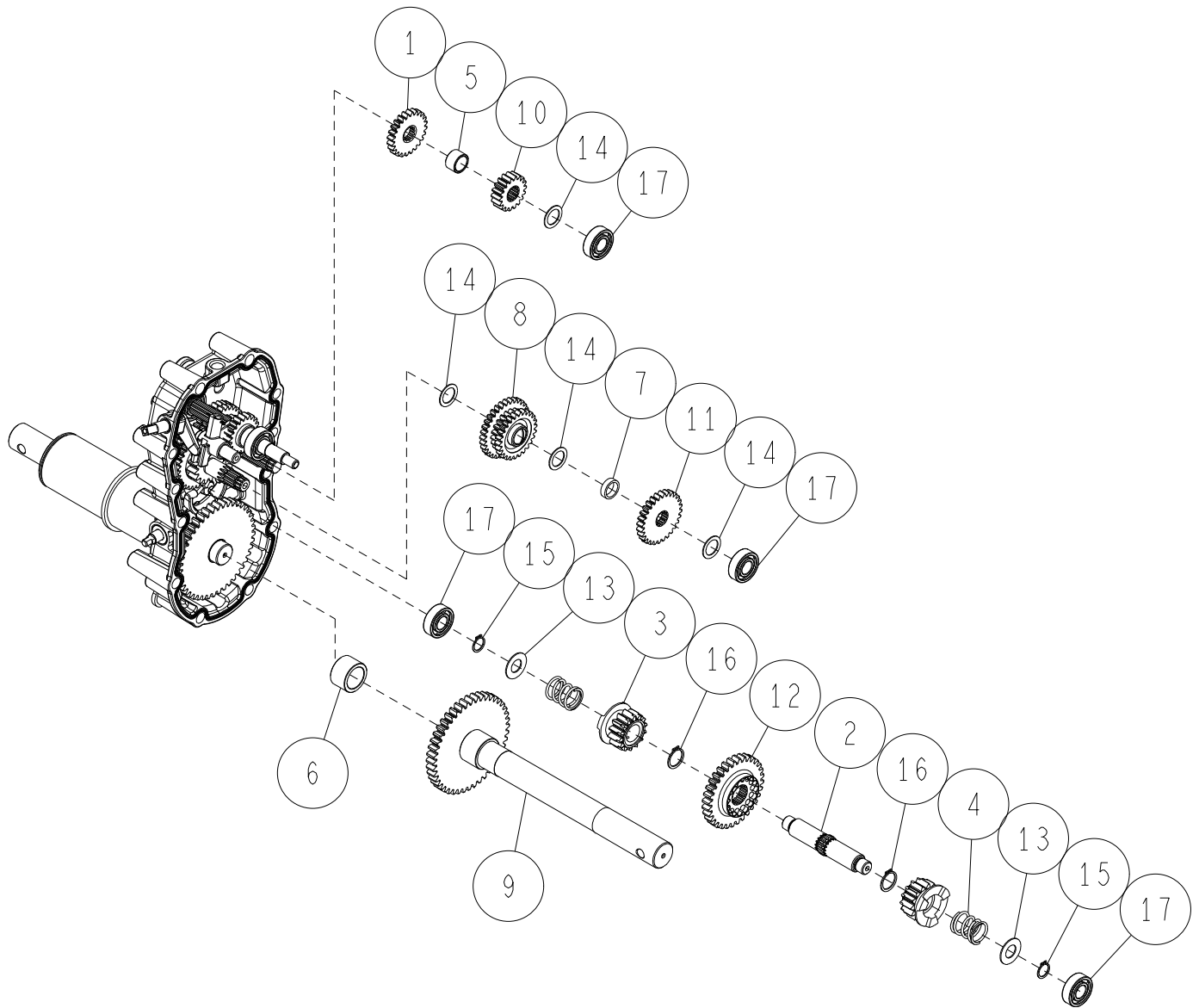
Ref.	Parts Number	Parts Name	Quantity			Remarks	R/P
			HRC663	HRC673	HRC813		
1	80-1614-312-01	Brake Cover CMP (White)	1	1	1		
2	80-1614-314-00	Brake Cover	1	1	1		
3	80-1920-153-0H	Side Clutch Arm (Metallic Grey)	2	2	2		
4	80-1920-313-01	Brake Cover Spacer (White)	1	1	1		
5	0211-31800	Brake Packing (Large)	1	1	1		
6	-	Label, Transmission	1	1	1		
7	85-1711-315-00	Brake Drum	1	1	1		★
8	85-1711-317-00	Shoe Return Spring	2	2	2		
9	85-1711-318-00	Brake Shoe Set	1	1	1		★
10	85-1445-317-00	Brake Packing (Small)	1	1	1		
11	89-1111-060252	Hexagonal Bolt M6*25	3	3	3		
12	89-1132-060122	Hexagonal Bolt (SW) M6*12	3	3	3		
13	89-1543-080002	Mini Hexagonal Nut (SW) M8	2	2	2		
14	89-1750-060002	Spring Washer 6	3	3	3		
15	89-2511-000140	Snap Ring (S14)	1	1	1		
16	0334-01010	Transmission Assy HRC663 (New)	1	1		*3)	
	0334-01000	Transmission Assy HRC663	1	1		*2)	
	0335-01010	Transmission Assy HRC813 (New)			1	*3)	
	0335-01000	Transmission Assy HRC813			1	*2)	



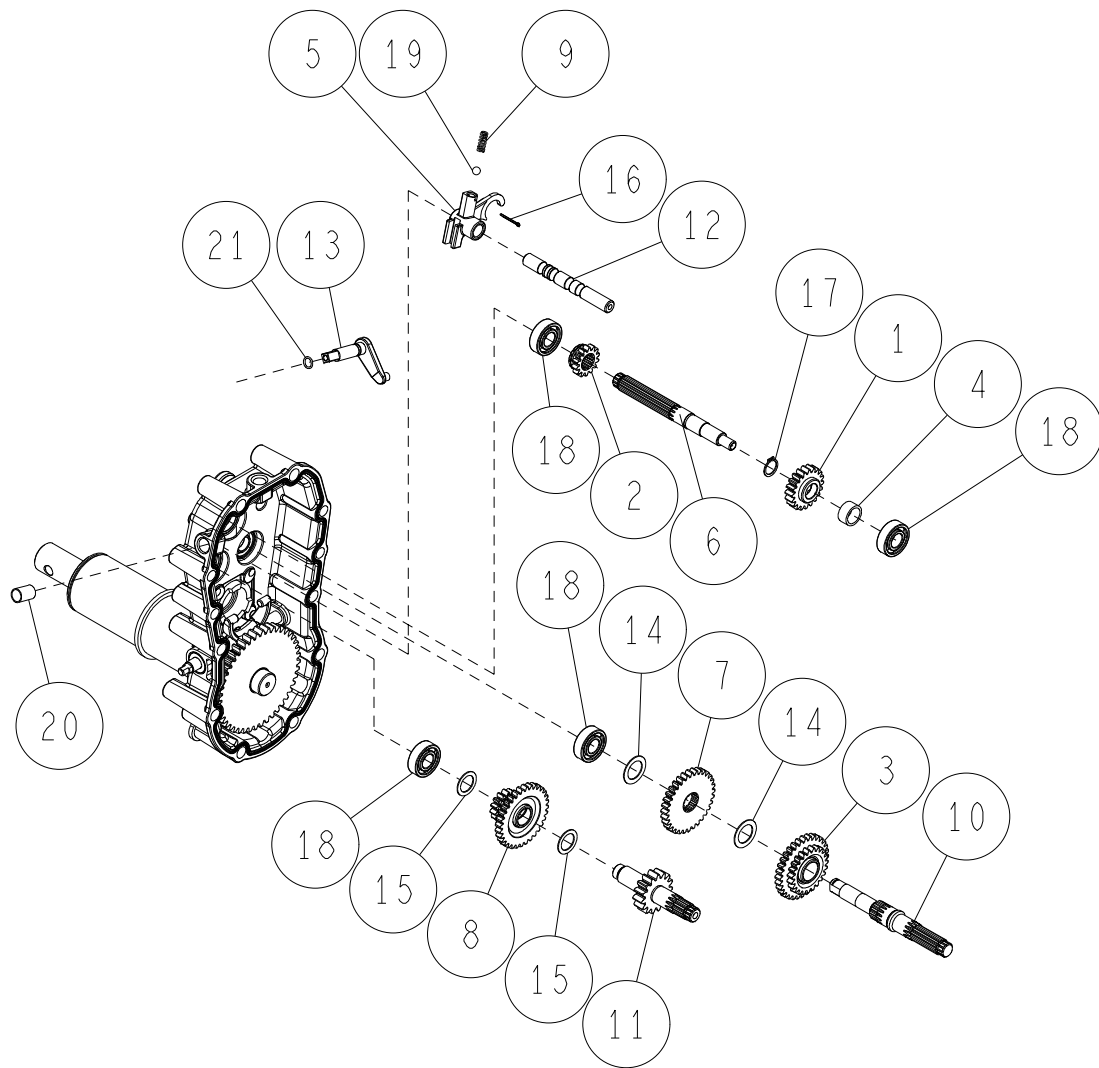
Ref.	Parts Number	Parts Name	Quantity			Remarks	R/P
			HRC663	HRC673	HRC813		
1	80-1565-159-0H	Shaft BB Reinforce Pipe (Metallic Grey)	2	2	2		
2	80-1920-197-01	Side Clutch Wire Receiver (L) (White)	1	1	1		
3	80-1920-198-01	Side Clutch Wire Receiver (R) (White)	1	1	1		
4	0282-0110H	Transmission Guard CMP (Metallic Grey)	1	1	1		
5	0334-00301	Wire Guide (M) CMP (White)	1	1	1		
6	83-1484-255-00	Lock Nut ZUF M8	9	9	9		
7	83-1493-255-00	Flange Lock Nut M10 (slender)	1	1	1		
8	83-1565-111-00	Hexagonal Bolt (with Big Washer) M6*16	1	1	1		
9	89-1253-081153	Flange Mini Hexagonal Bolt (8T) M8*115	2	2	2		
10	89-1253-081203	Flange Mini Hexagonal Bolt (8T) M8*120	2	2	2		
11	89-1253-081353	Flange Mini Hexagonal Bolt (8T) M8*135	2	2	2		
12	89-1253-081403	Flange Mini Hexagonal Bolt (8T) M8*140	3	3	3		
13	89-1254-101153	Flange Mini Hexagonal Bolt M10*115 P=1.25	1	1	1		



Ref.	Parts Number	Parts Name	Quantity			Remarks	R/P
			HRC663	HRC673	HRC813		
1	80-1415-114-00	Side Clutch Fork	1	1	1		
2	80-1425-112-00	Driving Clutch Fork Shaft	1	1	1		
3	80-1575-152-1H	Side Clutch Shaft BB Case (Metallic Grey)	1	1	1		
4	0297-08000	Oil Seal AP 35.55.16	1	1	1		★
5	0301-00210	Transmission Case (R)	1	1	1		
6	0935-0140H	Shaft BB Case (B) CMP (Metallic Grey)	1	1		*3)	
	0301-0040H	Shaft BB Case (R) (Metallic Grey)	1	1		*2)	
	0335-0020H	Shaft BB Case (R) CMP (New) (Metallic Grey)			1	*3)	
	0302-0040H	Shaft BB Case (R) (Metallic Grey)			1	*2)	
7	83-1020-349-00	Copper Packing 10.5*18*1.6	1	1	1		
8	83-1415-127-00	Seal Bolt (SW) M8*20	4	4	4		
9	83-1415-671-00	Blind Cover 22	1	1	1		
10	83-1415-672-00	Blind Cover 30	2	2	2		
11	83-1517-685-00	Oil Cap 20	1	1	1		
12	89-1232-080162	Mini Hexagonal Bolt (SW) M8*16	4	4	4		
13	89-1252-100123	Flange Mini Hexagonal Bolt M10*12 (slender)	1	1	1		
14	89-2111-030020	Spring Pin 3*20	1	1	1		
15	89-2111-050020	Spring Pin 5*20	1	1	1		
16	89-2512-000550	Snap Ring (R55)	1	1	1		
17	89-3115-060064	Bearing 6006 2RS	2	2	2		
18	89-5121-122207	Oil Seal UE 12.22.7	1	1	1		
19	89-5121-153007	Oil Seal UE 15.30.7	1	1	1		
20	89-5121-305007	Oil Seal UE 30.50.7	1	1	1		

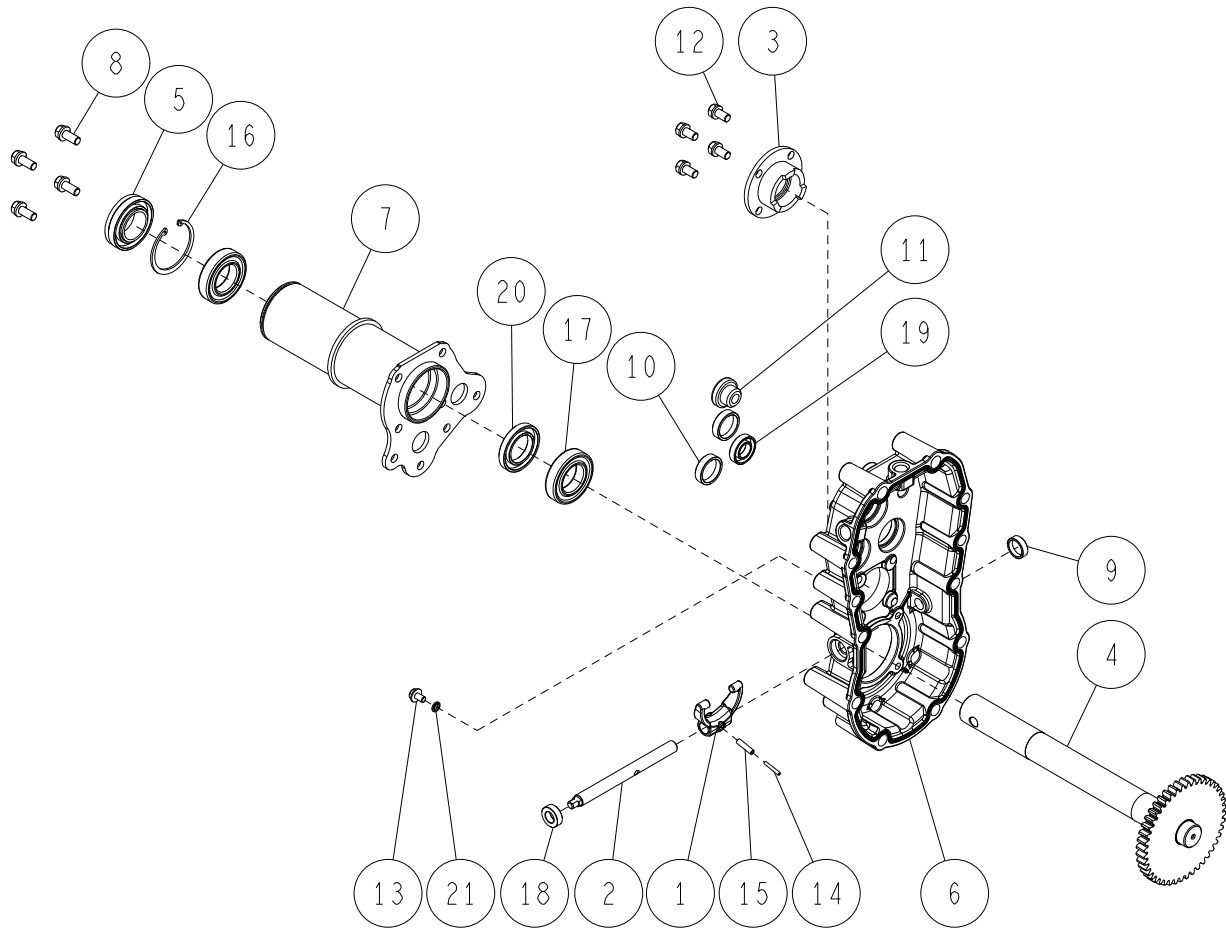


Ref.	Parts Number	Parts Name	Quantity			Remarks	R/P
			HRC663	HRC673	HRC813		
1	80-1575-129-10	2nd Shaft Gear 24T	1	1	1		
2	80-1575-140-00	Side Clutch Shaft	1	1	1		
3	80-1575-141-00	Side Clutch Gear 14T	2	2	2		
4	80-1575-162-00	Side Clutch Spring	2	2	2		
5	80-1920-130-00	Collar A	1	1	1		
6	80-1920-147-00	Axle Collar	1	1	1		
7	0223-02500	Collar 6L	1	1	1		
8	0251-01610	3rd Shaft Gear 22T	1	1	1		
9	0282-00110	Axle CMP	1	1			
	0283-00110	Axle CMP			1		
10	0282-00500	2nd Shaft Gear 18T	1	1	1		
11	0282-00600	3rd Shaft Gear 28T	1	1	1		
12	0334-00100	Side Clutch Gear 32T	1	1	1		
13	83-1633-362-10	Thrust Washer 15*30*1.2	2	2	2		
14	83-1830-368-00	Thrust Washer 18*26*1.0	4	4	4		
15	89-2511-000150	Snap Ring (S15)	2	2	2		
16	89-2511-000200	Snap Ring (S20)	2	2	2		
17	89-3111-062024	Bearing 6202	4	4	4		



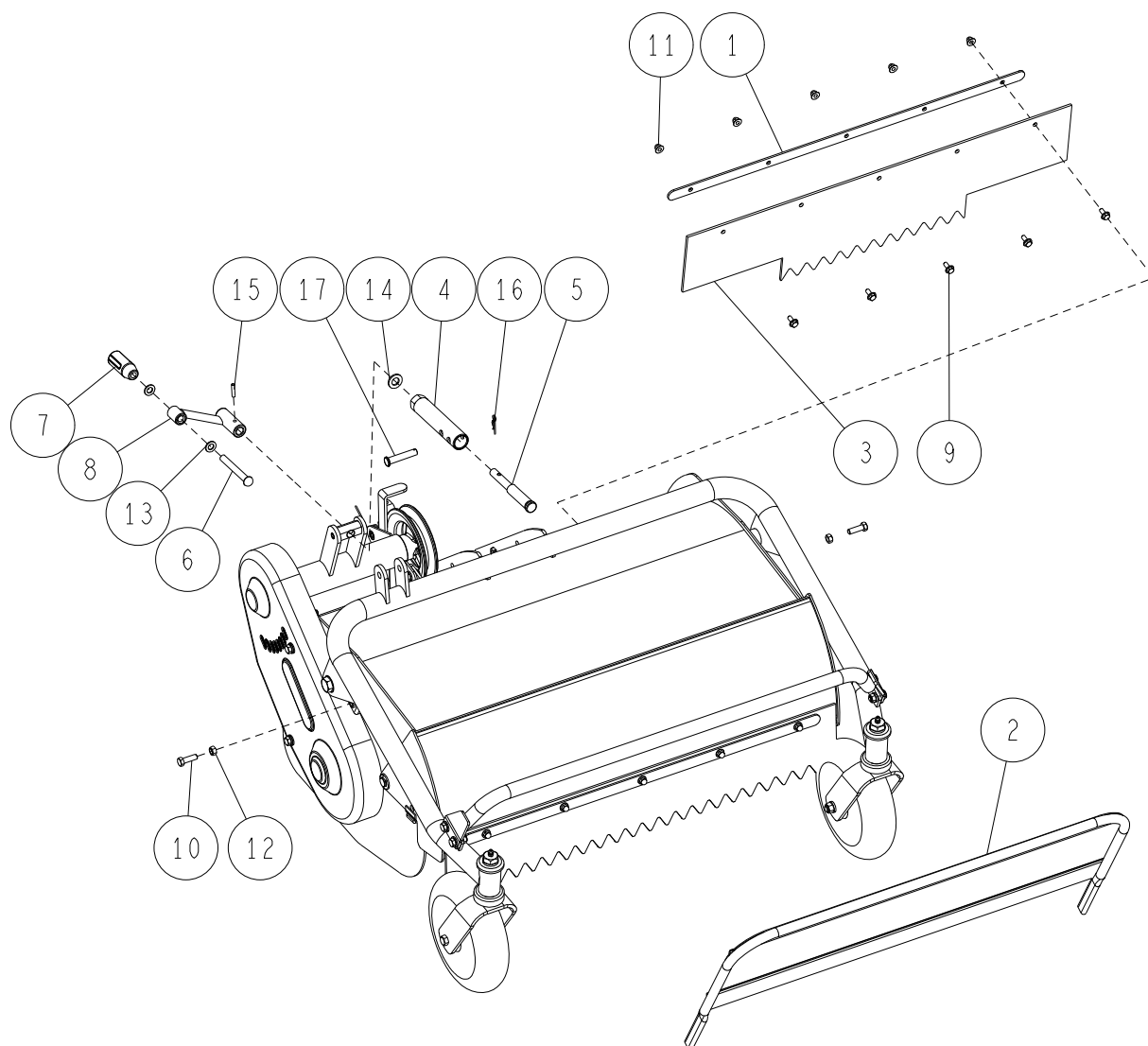
Ref.	Parts Number	Parts Name	Quantity			Remarks	R/P
			HRC663	HRC673	HRC813		
1	0223-00600	1st Shaft Gear 20T	1	1	1		
2	0223-00700	1st Shaft Shift Gear 14T	1	1	1		
3	0223-01200	Back Gear CMP	1	1	1		
4	0223-02400	Collar 11L	1	1	1		
5	0251-00300	Shift Folk	1	1	1		
6	0251-01100	Trasmission 1st Shaft	1	1	1		
7	0251-01300	2nd Shaft Gear 32T	1	1	1		
8	0251-02100	3rd Shaft Gear 14T CMP	1	1	1		
9	0282-00400	Spring	1	1	1		
10	0301-00500	2nd Shaft	1	1	1		
11	0334-00200	3rd Shaft	1	1	1		
12	0334-00400	Shift Fork Shaft	1	1	1		
13	0334-00500	Swing Arm	1	1	1		
14	83-1310-371-00	Thrust Washer 20*30*1.0	2	2	2		
15	83-1830-368-00	Thrust Washer 18*26*1.0	2	2	2		
16	89-2120-200202	Split Pin 2*20	1	1	1		
17	89-2511-000160	Snap Ring (S16)	1	1	1		
18	89-3111-062024	Bearing 6202	4	4	4		
19	89-3410-075000	Steel Ball 7.5	1	1	1		
20	89-3510-012200	DU Bush 12.20	1	1	1		
21	89-5221-009000	O Ring P9	1	1	1		

Transmission 6/6



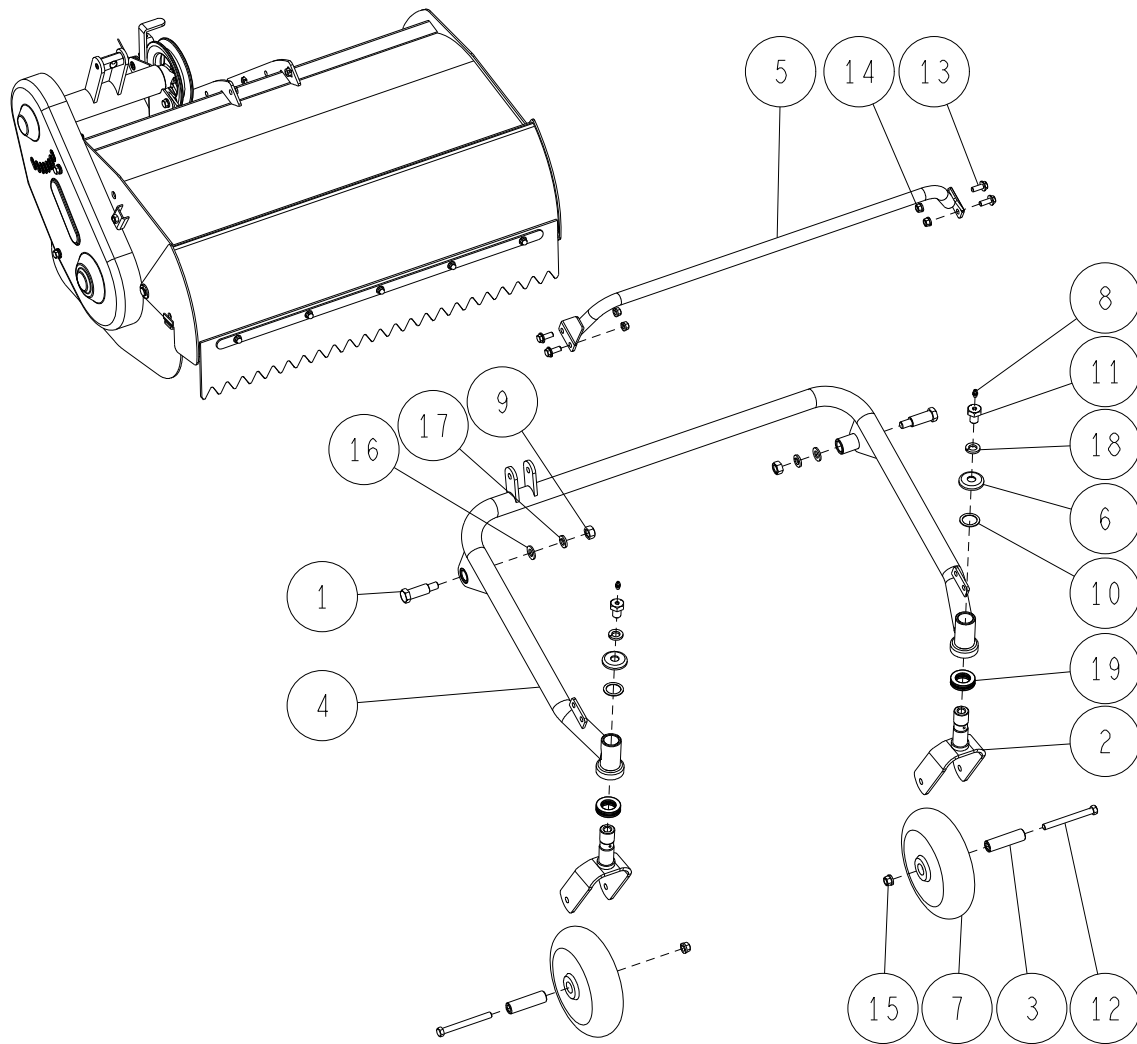
Ref.	Parts Number	Parts Name	Quantity			Remarks	R/P
			HRC663	HRC673	HRC813		
1	80-1415-114-00	Side Clutch Fork	1	1	1		
2	80-1425-112-00	Driving Clutch Folk Shaft	1	1	1		
3	80-1575-152-1H	Side Clutch Shaft BB Case (Metallic Grey)	1	1	1		
4	0282-00110	Axle CMP	1	1			
	0283-00110	Axle CMP			1		
5	0297-08000	Oil Seal AP 35.55.16	1	1	1		★
6	0301-00110	Transmission Case (L)	1	1	1		
7	0935-0130H	Shaft BB Case CMP (A) (Metallic Grey)	1	1		*3)	
	0301-0030H	Shaft BB Case (L) (Metallic Grey)	1	1		*2)	
	0335-0010H	Shaft BB Case (L) CMP (New) (Metallic Grey)			1	*3)	
	0302-0030H	Shaft BB Case (L) (Metallic Grey)			1	*2)	
8	83-1415-127-00	Seal Bolt (SW) M8*20	4	4	4		
9	83-1415-671-00	Blind Cover 22	1	1	1		
10	83-1415-672-00	Blind Cover 30	2	2	2		
11	83-1517-685-00	Oil Cap 20	1	1	1		
12	89-1232-080162	Mini Hexagonal Bolt (SW) M8*16	4	4	4		
13	89-1251-060102	Flange Hexagonal Bolt M6*10	1	1	1		
14	89-2111-030020	Spring Pin 3*20	1	1	1		
15	89-2111-050020	Spring Pin 5*20	1	1	1		
16	89-2512-000550	Snap Ring (R55)	1	1	1		
17	89-3115-060064	Bearing 6006 2RS	2	2	2		
18	89-5121-122207	Oil Seal UE 12.22.7	1	1	1		
19	89-5121-153007	Oil Seal UE 15.30.7	1	1	1		
20	89-5121-305007	Oil Seal UE 30.50.7	1	1	1		
21	89-5230-060000	Seal Washer 6	1	1	1		

Rotary Cover 1/5

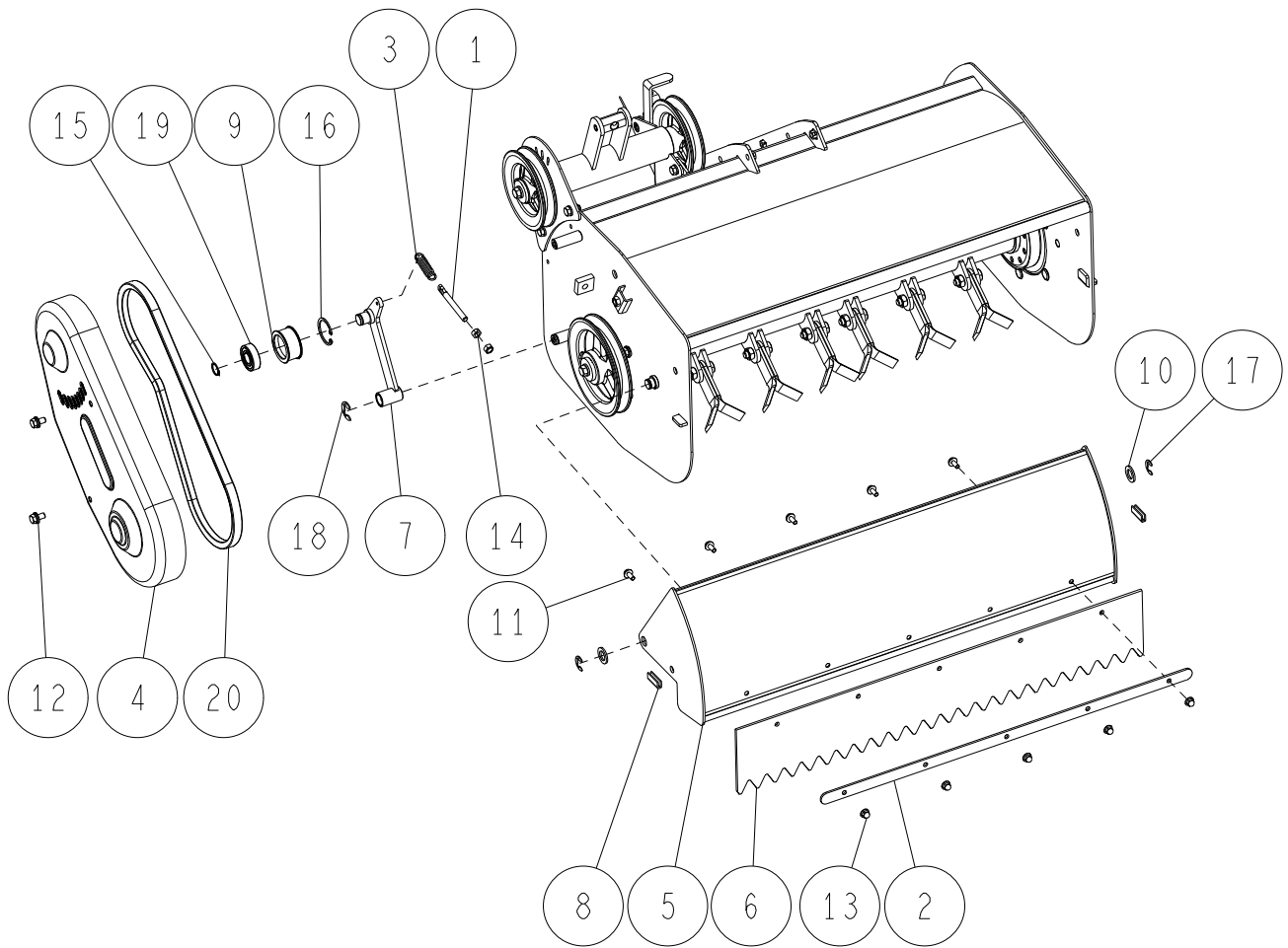


Ref.	Parts Number	Parts Name	Quantity			Remarks	R/P
			HRC663	HRC673	HRC813		
1	80-1610-787-01	Flapper Holder (White)	1	1			
	0204-60601	Flapper Holder (White)			1		
2	80-1613-733-1G	Safety Cover (Green)	1	1			
	0204-6070G	Safety Cover (Green)			1		
3	80-1614-782-10	Rear Flapper	1	1			★
	0204-60500	Rear Flapper			1		★
4	0285-6120G	Height Adjusting Bolt Receiver CMP (Green)	1	1	1		
5	0285-62400	Height Adjusting Bolt CMP	1	1	1		
6	0285-77000	Round Head Pin 10*80	1	1	1		
7	0334-75100	Lever Grip (Black) 10	1	1	1		
8	84-1723-739-00	Cutting Height Adjusting Handle	1	1	1		
9	89-1137-060152	Hexagonal Bolt (PW) M6*15	5	5	6		
10	89-1211-080252	Mini Hexagonal Bolt M8*25	2	2	2		
11	89-1581-060042	Flange Cap Nut M6	5	5	6		
12	89-1611-080042	Mini Hexagonal Nut M8	2	2	2		
13	89-1711-100002	Flat Washer 10*18*1.6	2	2	2		
14	89-1714-120002	Flat Washer 12	1	1	1		
15	89-2111-050022	Spring Pin 5*22	1	1	1		
16	89-2131-100002	Snap Pin 10	1	1	1		
17	89-2181-100502	Flat Head Pin 10*50	1	1	1		

Rotary Cover 2/5

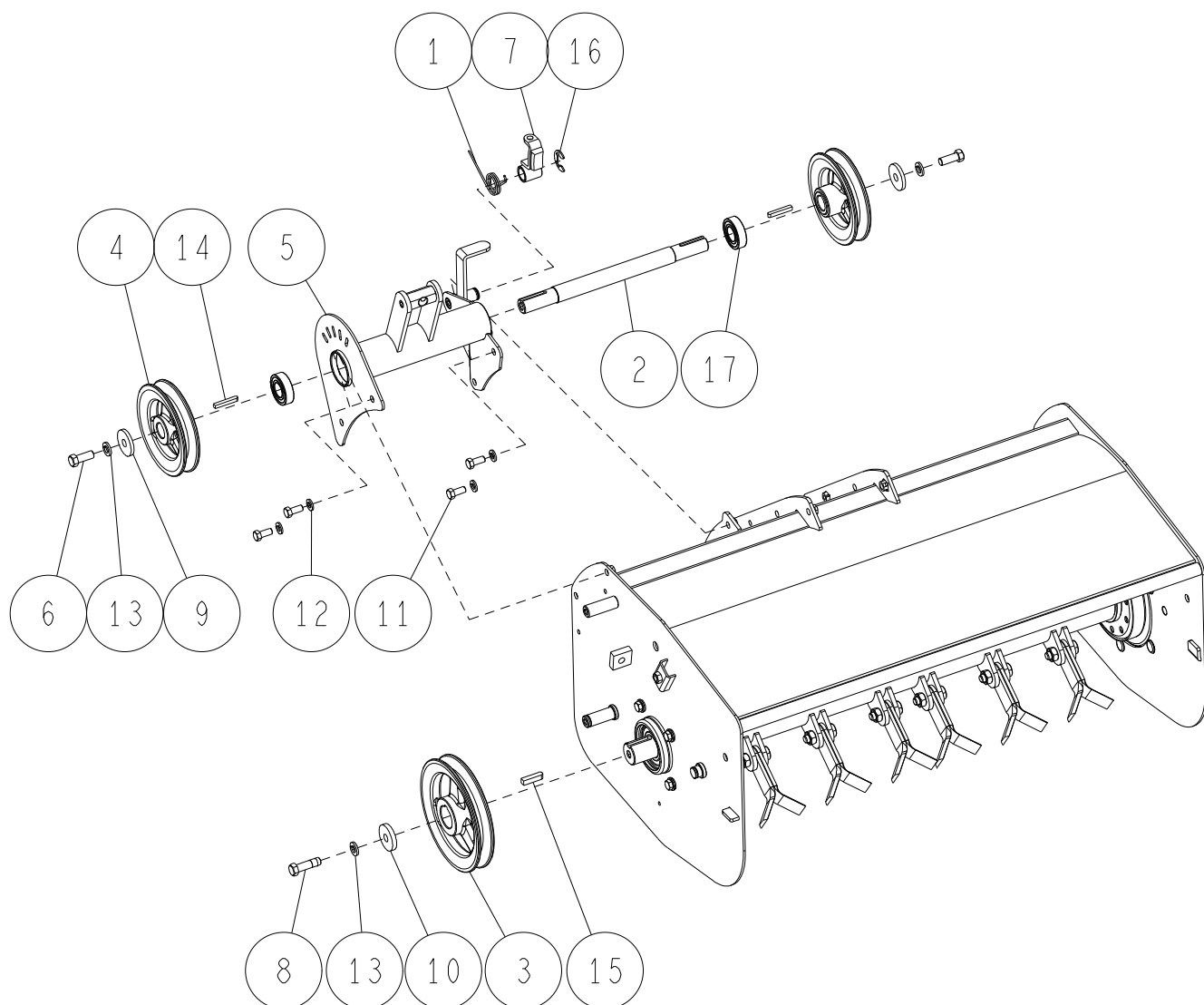


Ref.	Parts Number	Parts Name	Quantity			Remarks	R/P
			HRC663	HRC673	HRC813		
1	80-1610-714-00	Front Arm Setting Shaft	2	2	2		★
2	80-1614-725-2G	Front Wheel Fork (Green)	2	2	2		
3	80-1614-726-00	Front Wheel Collar	2	2	2		★
4	0211-6040G	Front Arm CMP (Green)	1	1			
	0204-6110G	Front Arm CMP (Green)			1		
5	0211-6050G	Front Bumper (Green)	1	1			
	0204-6120G	Front Bumper (Green)			1		
6	0256-60700	Dust Cover	2	2	2		
7	0285-73100	Front Wheel (G200N-20)	2	2	2		★
8	83-1415-975-00	Grease Nipple M6	2	2	2		
9	83-1610-192-00	Hexagonal Nut (slender) M12 P=1.25	2	2	2		
10	83-1783-376-00	Thrust Washer 25*34*1.0	2	2	2		
11	84-1783-791-00	Grease Nipple Bolt M14	2	2	2		
12	89-1211-100952	Mini Hexagonal Bolt M10*95	2	2	2		★
13	89-1253-080202	Flange Mini Hexagonal Bolt (8T) M8*20	4	4	4		
14	89-1543-080002	Mini Hexagonal Nut (SW) M8	4	4	4		
15	89-1543-100002	Mini Hexagonal Nut (SW) M10	2	2	2		★
16	89-1714-120002	Flat Washer 12	2	2	2		
17	89-1750-120002	Spring Washer 12	2	2	2		
18	89-1750-140002	Spring Washer 14	2	2	2		
19	89-3370-051105	Thrust Bearing 51105	2	2	2		★



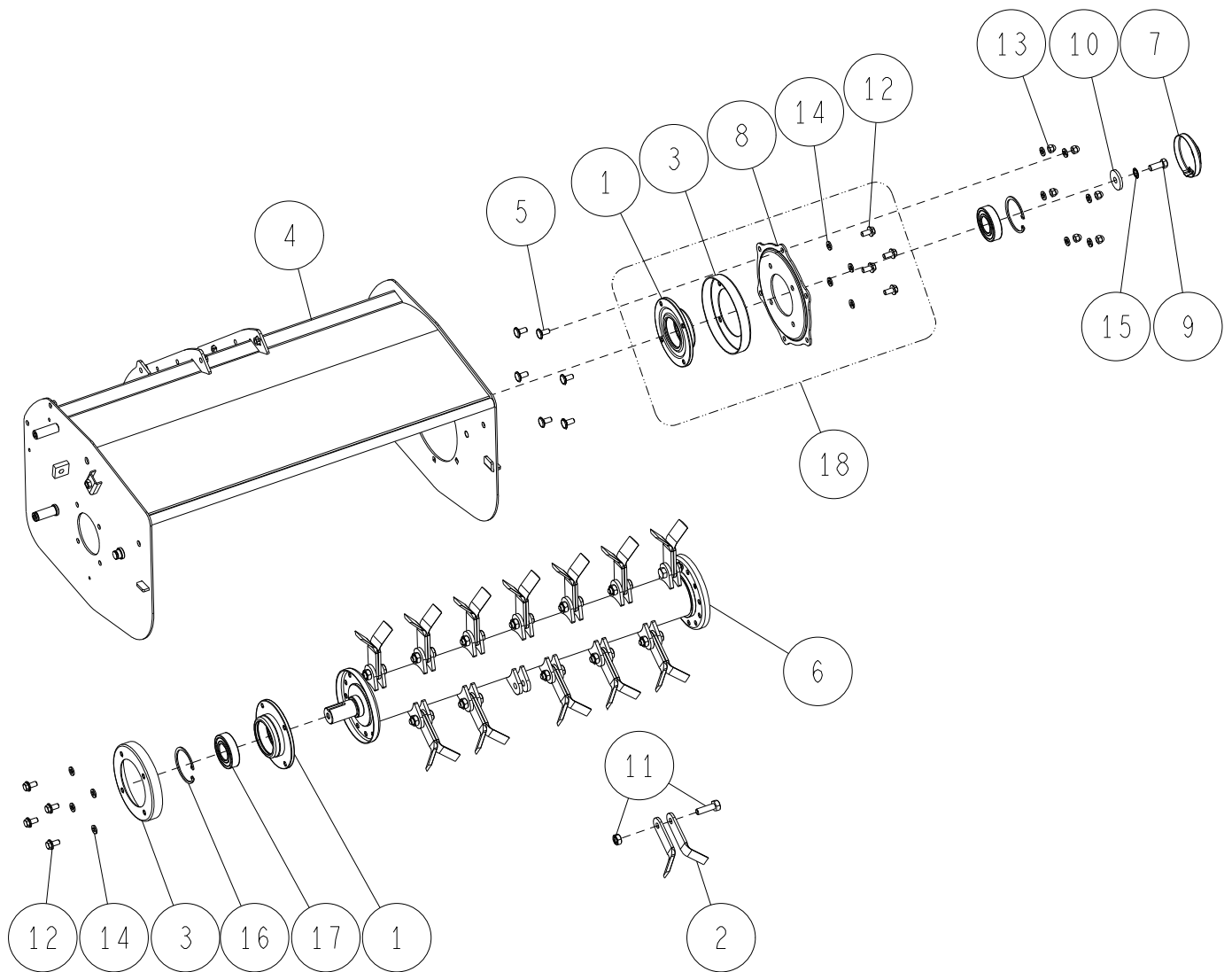
Ref.	Parts Number	Parts Name	Quantity			Remarks	R/P
			HRC663	HRC673	HRC813		
1	80-1182-527-00	Tension Pulling Bolt	1	1	1		
2	80-1610-787-01	Flapper Holder (White)	1	1			
	0204-60601	Flapper Holder (White)			1		
3	80-1614-315-00	Return Spring	1	1	1		
4	80-1614-694-11	Knife Belt Cover (White)	1	1	1		
5	80-1614-764-01	Front Cover CMP (White)	1	1			
	0204-60301	Front Cover CMP (White)			1		
6	80-1614-781-10	Front Flapper	1	1			★
	0204-60400	Front Flapper			1		★
7	0211-63201	Front Tension Arm CMP (White)	1	1	1		
8	0285-66100	Rubber L30	2	2	2		
9	83-1032-765-00	Tension Pulley	1	1	1		★
10	83-1630-342-00	Washer 16*26*2.3	2	2	2		
11	89-1137-060152	Hexagonal Bolt (PW) M6*15	5	5	6		
12	89-1233-080162	Mini Hexagonal Bolt (PW SW) M8*16	2	2	2		
13	89-1581-060042	Flange Cap Nut M6	5	5	6		
14	89-1611-080042	Mini Hexagonal Nut M8	2	2	2		
15	89-2511-000170	Snap Ring (S17)	1	1	1		
16	89-2512-000400	Snap Ring (R40)	1	1	1		
17	89-2521-000120	E Type Ring 12	2	2	2		
18	89-2521-000150	E Type Ring 15	1	1	1		
19	89-3115-062034	Bearing 6203 2RS	1	1	1		★
20	89-6123-003900	V Belt LB-39	1	1			★★
	89-6123-003902	V Belt SB-39 (W800)			1		★★

Rotary Cover 4/5

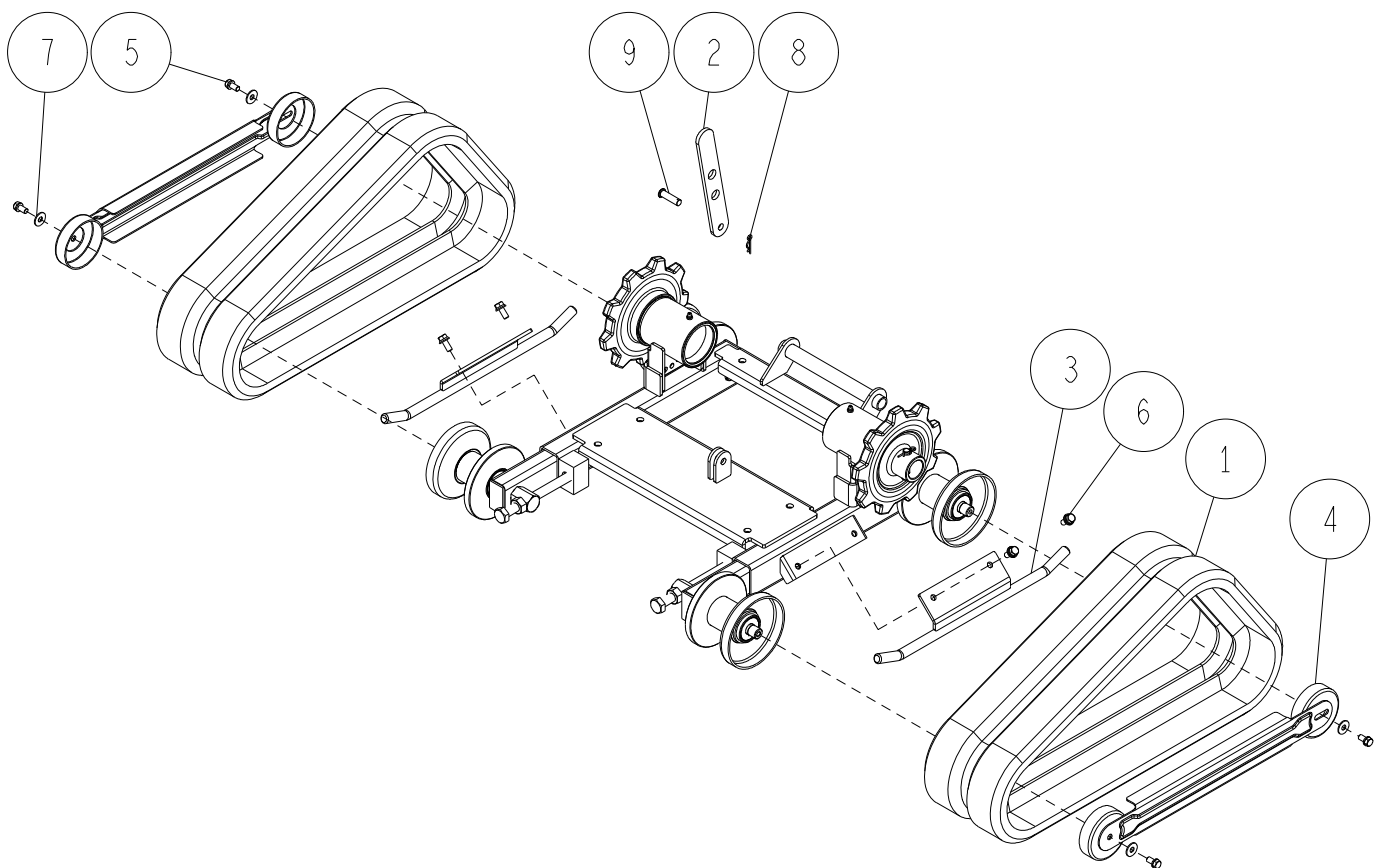


Ref.	Parts Number	Parts Name	Quantity			Remarks	R/P
			HRC663	HRC673	HRC813		
1	80-1614-373-20	Knife Brake Spring	1	1	1		★
2	80-1614-621-30	Supporter Shaft	1	1			
	0204-40110	Supporter Shaft			1		
3	80-1614-634-20	Knife Pulley 155	1	1	1		
4	80-1614-636-00	Supporter Pulley	2	2	2		
5	80-1614-691-3G	Supporter Pipe CMP (Green)	1	1			
	0204-4020G	Supporter Pipe CMP (Green)			1		
6	0212-72100	Hexagonal Bolt(8T) M10*25(Meck)	2	2	2		
7	0231-37101	Knife Brake (White)	1	1	1		★
8	83-1610-125-00	Hexagonal Bolt (8T) M10*35	1	1	1		
9	83-1610-321-00	Washer 10*36*4.5	2	2	2		
10	83-1610-322-00	Washer 10*36*6	1	1	1		
11	89-1213-080182	Mini Hexagonal Bolt (8T) M8*18	4	4	4		
12	89-1750-080002	Spring Washer 8	4	4	4		
13	89-1750-100002	Spring Washer 10	3	3	3		
14	89-2151-050350	Key 5*35 (half round)	2	2	2		
15	89-2151-070300	Key 7*30 (half round)	1	1	1		
16	89-2521-000150	E Type Ring 15	1	1	1		
17	89-3115-060044	Bearing 6004 2RS	2	2	2		★

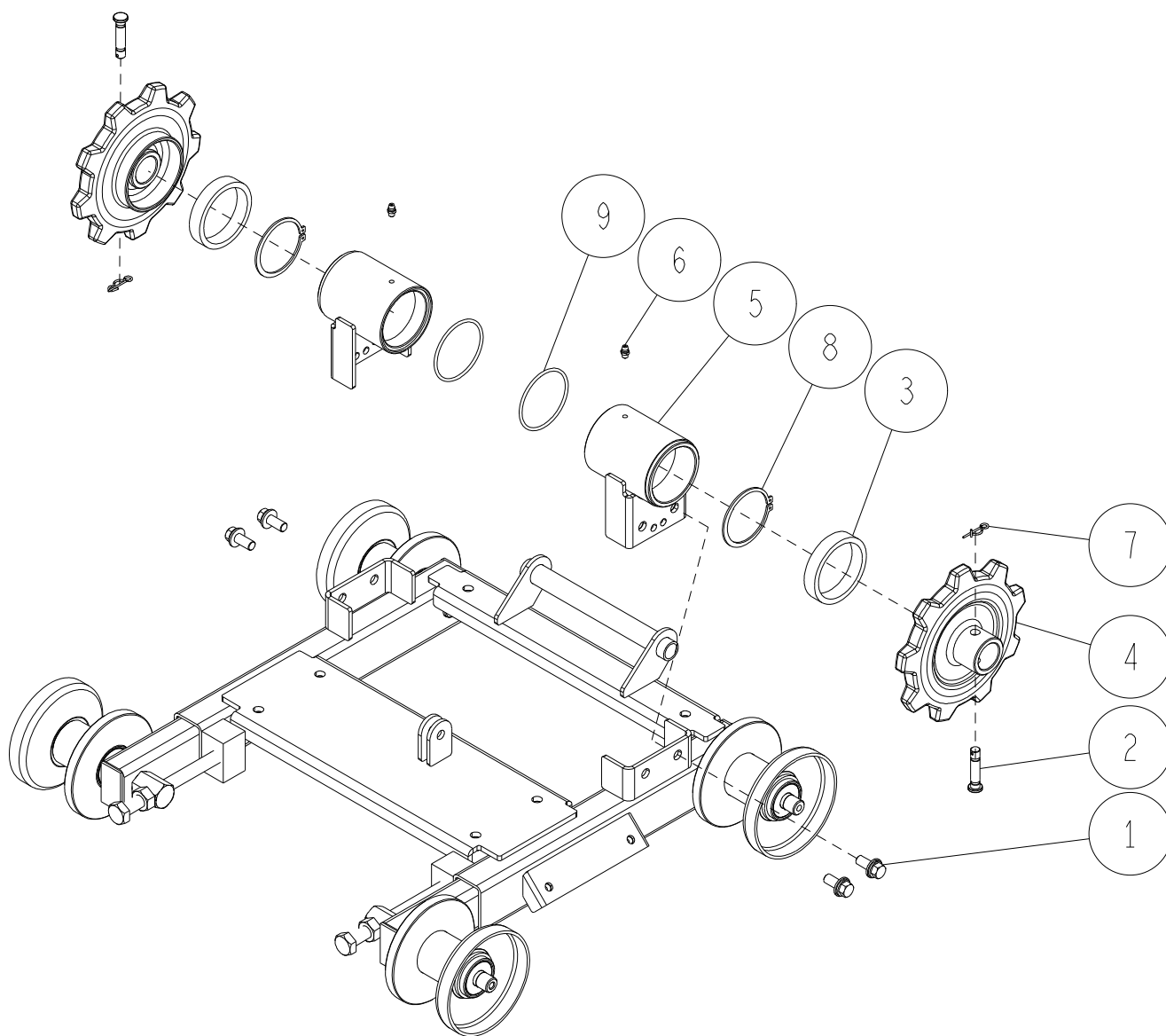
Rotary Cover 5/5



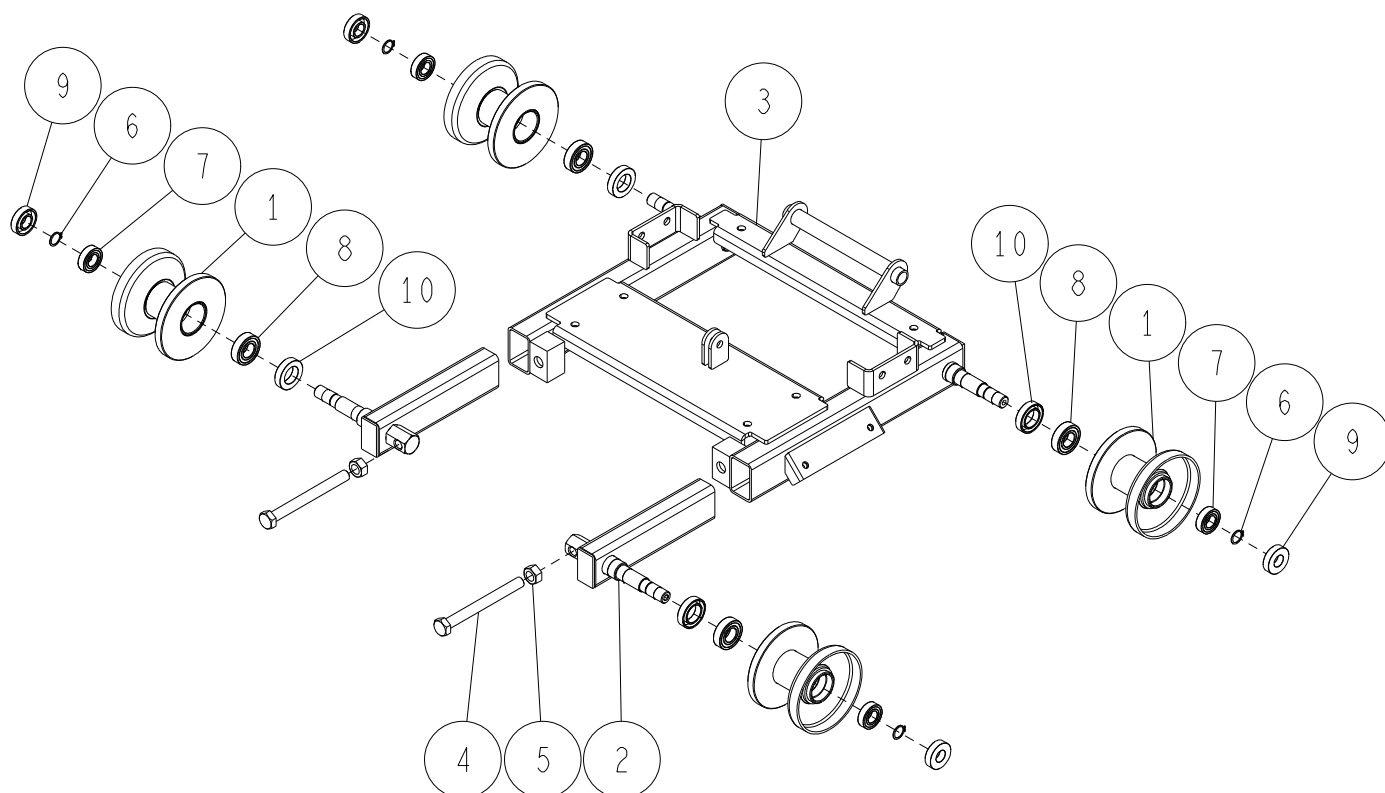
Ref.	Parts Number	Parts Name	Quantity			Remarks	R/P
			HRC663	HRC673	HRC813		
1	80-1610-804-01	BB Case (White)	2	2	2		★
2	80-1610-821-00	Hammer Knife Blade	38	38	46		★★
3	80-1612-813-01	Dust Cover (White)	2	2	2		★
4	80-1614-703-3G	Rotary Cover CMP (Green)	1	1			
	0204-6011G	Rotary Cover CMP (Green)			1		
5	80-1614-705-00	Flat Head Bolt M8*18	6	6	6		
6	80-1614-800-00	Knife Drum ASSY	1	1		Include 2,11	★
	0204-50000	Knife Drum ASSY			1	Include 2,11	★
7	80-1614-810-00	BB Case Cover	1	1	1		
8	0285-6040G	Knife Shaft BB Case Holder (Green)	1	1	1		
9	83-1610-124-00	Hexagonal Bolt (8T) M10*25 (left screw)	1	1	1		
10	83-1610-321-00	Washer 10*36*4.5	1	1	1		
11	83-1610-835-00	Knife Setting Bolt Set	19	19	23		★★
12	89-1253-080162	Flange Mini Hexagonal Bolt (8T) M8*16	8	8	8		
13	89-1671-080042	Mini Cap Nut M8	6	6	6		
14	89-1750-080002	Spring Washer 8	14	14	14		
15	89-1812-100002	Toothed Washer (inside) 10	1	1	1		
16	89-2512-000620	Snap Ring (R62)	2	2	2		
17	89-3115-062064	Bearing 6206 2RS	2	2	2		★
18	0285-6010G	Knife Shaft BB Case Set (Green)	1	1	1	Include 1,3,8,12,14	



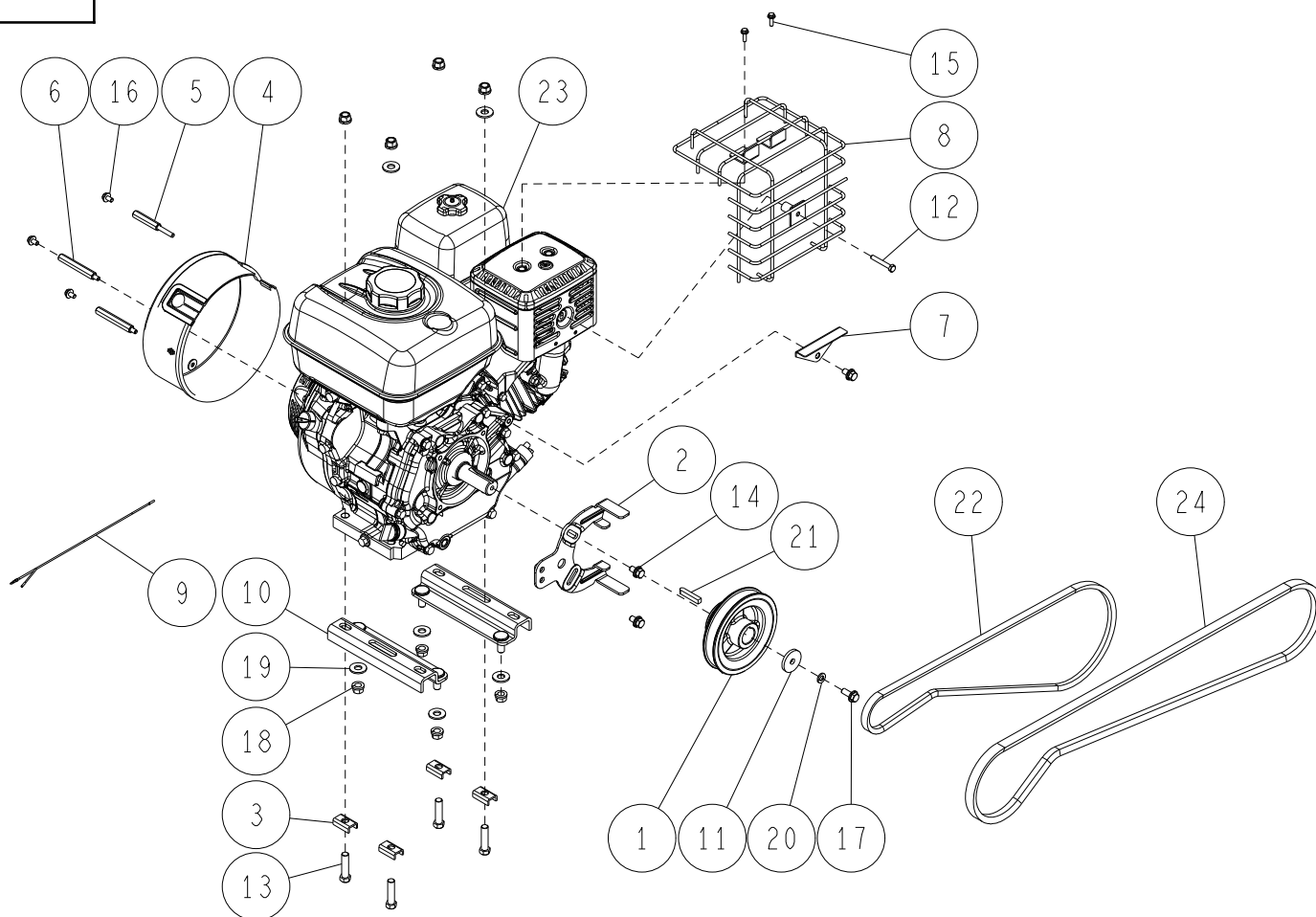
Ref.	Parts Number	Parts Name	Quantity			Remarks	R/P
			HRC663	HRC673	HRC813		
1	0282-70200	Rubber Crawler 160W*60P*24L	2	2	2		★
2	0295-8031H	Fix Bar (Metallic Grey)		1	1		
3	0334-3110H	Crawler Tension Bar CMP (Metallic Grey)	2	2	2		
4	0334-3120H	Crawler Cover CMP (Metallic Grey)	2	2	2		
5	89-1232-080162	Mini Hexagonal Bolt (SW) M8*16	4	4	4		
6	89-1233-080202	Mini Hexagonal Bolt (PWSW) M8*20	4	4	4		
7	89-1713-080002	Flat Washer 8 (large)	4	4	4		
8	89-2131-100002	Snap Pin 10		1	1		
9	89-2181-100352	Flat Head Pin 10*35		1	1		



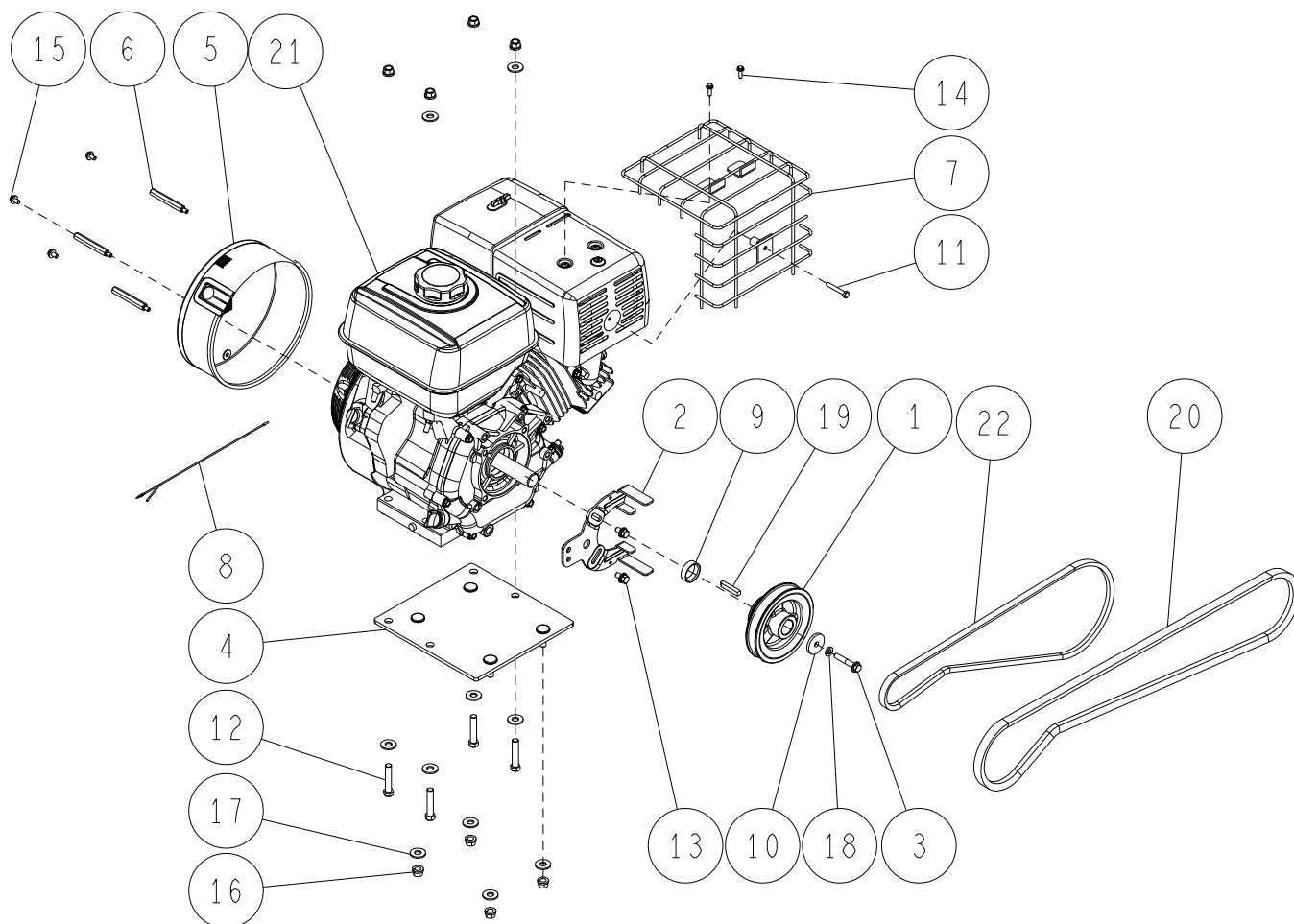
Ref.	Parts Number	Parts Name	Quantity			Remarks	R/P
			HRC663	HRC673	HRC813		
1	0244-83200	Mini Hexagonal Bolt (PWSW) M10*25 (7T Lock)	4	4	4		
2	0282-31310	Axle Pin 10*50	2	2	2		★★
3	0282-70300	Dust Seal	2	2	2		
4	0334-3010H	Driving Sprocket CMP (Metallic Grey)	2	2	2		
5	0935-3010H	Driving Pipe CMP (Metallic Grey)	2	2	2	*3)	
	0334-3020H	Driving Pipe (R) CMP (Metallic Grey)	2	2	2	*2)	
6	83-1415-975-00	Grease Nipple M6	2	2	2		
7	89-2132-100002	Snap Pin 10 (with stopper)	2	2	2		★★
8	89-2511-000630	Snap Ring (S63)	2	2	2		
9	89-5222-065000	O Ring G65	2	2	2		



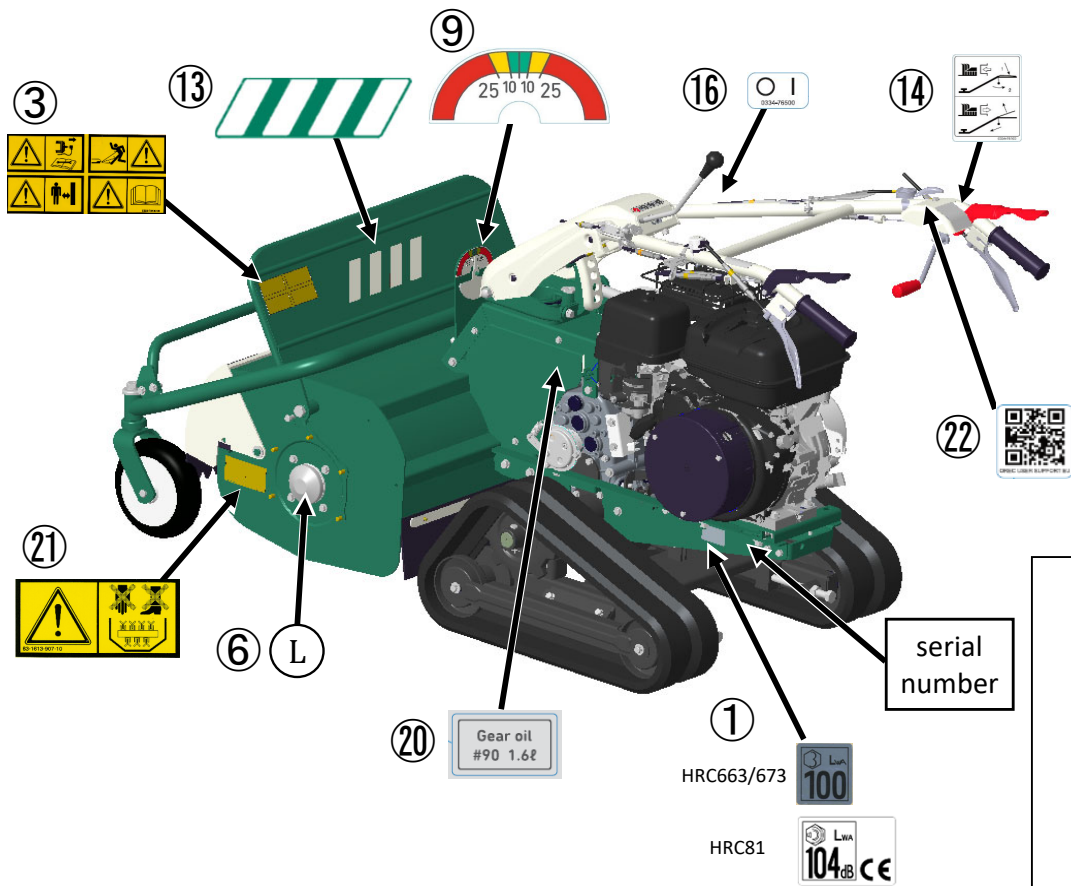
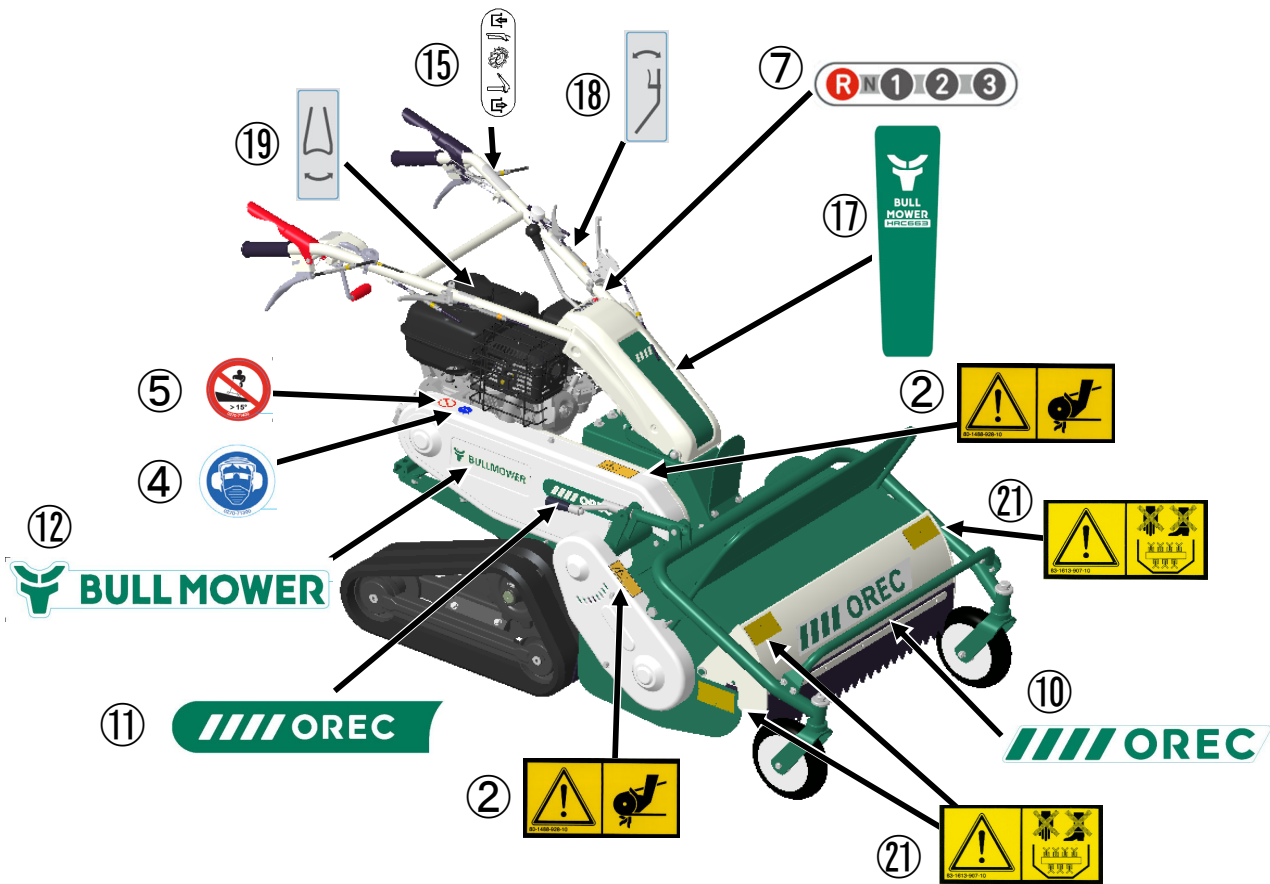
Ref.	Parts Number	Parts Name	Quantity			Remarks	R/P
			HRC663	HRC673	HRC813		
1	0334-3050H	Turn Wheel CMP (Metallic Grey)	4	4	4		★
2	0334-3060H	Induction Ring Attachment CMP (Metallic Grey)	2	2	2		
3	0334-3230H	Crawler Frame CMP HRC663 (Metallic Grey)	1	1			
	0335-3230H	Crawler Frame CMP HRC813 (Metallic Grey)			1		
4	89-1111-141407	Hexagonal Bolt M14*140	2	2	2		
5	89-1511-140042	Hexagonal Nut M14	2	2	2		
6	89-2511-000170	Snap Ring (S17)	4	4	4		
7	89-3115-060034	Bearing 6003 2RS	4	4	4		★
8	89-3115-060044	Bearing 6004 2RS	4	4	4		★
9	89-5121-173810	Oil Seal UE 17.38.10	4	4	4		★
10	89-5121-254210	Oil Seal UE 25.42.10	4	4	4		★



Ref.	Parts Number	Parts Name	Quantity			Remarks	R/P
			HRC663	HRC673	HRC813		
1	80-1614-514-2S	Engine Pulley 132	1	1			
2	80-1614-561-21	Belt Holder (White)	1	1			
3	0211-31100	Whirl Stop Plate A10 (H14)	4	4			
4	0304-61400	Recoil Cover CMP (GX270)	1				
	0301-60200	Recoil Cover CMP (HRC672)		1			
5	0301-60600	Recoil Cover Setting Bolt (HRC672)		1			
6	0304-61800	Recoil Cover Setting Bolt (GX270.340)	3	2			
7	0304-62301	Supplementary Cover, Inside (White)	1	1			
8	0304-62500	Muffler Guard CMP (GX270)	1	1			
9	0304-72100	Lead Wire 300L (GX270.340)	1	1			
10	0334-2020G	Engine Fitting Plate with Bolt (Green)	2	2			
11	83-1565-315-00	Washer 8*36*4.5	1	1			
12	89-1113-060402	Hexagonal Bolt (8T) M6*40	1	1			
13	89-1211-100402	Mini Hexagonal Bolt M10*40	4	4			
14	89-1233-080162	Mini Hexagonal Bolt (PWSW) M8*16	3	3			
15	89-1251-050163	Flange Hexagonal Bolt M5*16	2	2			
16	89-1251-060102	Flange Hexagonal Bolt M6*10	3	3			
17	89-1253-080202	Flange Mini Hexagonal Bolt (8T) M8*20	1	1			
18	89-1543-100002	Mini Hexagonal Nut (SW) M10	8	8			
19	89-1713-100002	Flat Washer 10 (large)	6	6			
20	89-1750-080002	Spring Washer 8	1	1			
21	89-2151-070400	Key 7*40 (half round)	1	1			
22	89-6122-004701	V Belt SAR-47	1	1		★★	
23	9009-0271	GX270UT2 SAX4	1				
	9009-0371	GX270T2 SHB2		1			
24	89-6123-006300	V Belt LB-63	1	1		★★	



Ref.	Parts Number	Parts Name	Quantity			Remarks	R/P
			HRC663	HRC673	HRC813		
1	80-1614-514-2S	Engine Pulley 132			1		
2	0291-4010 ¹	Belt Holder (GX270.340) (White)			1		
3	0299-71200	Hexagonal Bolt(8T) M8*45(Meck)			1		
4	0302-2110 ^G	Engine Base CMP (GX340) (Green)			1		
5	0302-60400	Recoil Cover CMP (HRC812B)			1		
6	0304-61800	Recoil Cover Setting Bolt (GX270.340)			3		
7	0304-62400	Muffer Guard CMP (GX340)			1		
8	0304-72100	Lead Wire 300L (GX270.340)			1		
9	0310-40200	Engine Collar φ34			1		
10	83-1565-315-00	Washer 8*36*4.5			1		
11	89-1113-060402	Hexagonal Bolt (8T) M6*40			1		
12	89-1211-100502	Mini Hexagonal Bolt M10*50			4		
13	89-1233-080162	Mini Hexagonal Bolt (PWSW) M8*16			2		
14	89-1251-050163	Flange Hexagonal Bolt M5*16			2		
15	89-1251-060102	Flange Hexagonal Bolt M6*10			3		
16	89-1543-100002	Mini Hexagonal Nut (SW) M10			8		
17	89-1713-100002	Flat Washer 10 (large)			10		
18	89-1750-080002	Spring Washer 8			1		
19	89-2151-070400	Key 7*40 (half round)			1		
20	89-6123-006302	V Belt SB-63 (W800)			1		★★
21	9010-0171	GX340T2 SHB2			1		
22	89-6122-004702	V Belt SA-47 (W800)			1		★★



Ref.	Parts Number	Parts Name	Quantity			Remarks	R/P
			HRC663	HRC673	HRC813		
1	80-1020-932-00	Label, Noise 100db	1	1			
	0202-74400	Label, Noise 104db			1		
2	80-1488-928-10	Label, Caution for Belt Involving	2	2	2		
3	0223-76100	Label, Caution (Large)	1	1	1		
4	0270-71300	Label, Protection Equipment	1	1	1		
5	0270-71400	Attention Label for Slope 15°	1				
	0301-70310	Attention Label for Slope 25°		1	1		
6	0304-71500	Label for Left Screw	1	1	1		
7	0334-71110	Label, Change	1	1	1		
8	0334-71210	Label, Transmission (HRC663)	1	1			
	0335-71210	Label, Transmission (HRC803)			1		
9	0334-71510	Clinometer Label	1	1	1		
10	0334-72400	Label, OREC Logo (Large)	1	1	1		
11	0334-72500	Label, OREC Logo (Small)	1	1	1		
12	0334-72600	Label, Bull Mower	1	1	1		
13	0334-72700	Label, Guard Cover	1	1	1		
14	0334-76110	Label, Cutting	1	1	1		
15	0334-76210	Label, Driving	1	1	1		
16	0334-76510	Label, Switch (ON-OFF)	1	1	1		
17	0334-76600	Label, Bonnet (HRC663)	1				
	0334-79500	Label, Bonnet (HRC673)		1			
	0335-75300	Label, Bonnet (HRC813)			1		
18	0335-75400	Label, Handle Up/Down	1	1	1		
19	0335-75500	Label, Handle Right/Left	1	1	1		
20	0335-75600	Label, Gear Oil	1	1	1		
21	83-1613-907-10	Label, Caution for Hand and Leg	4	4	4		
22	0340-78200	QR Code EU	1	1	1		