

Parts catalogue

Transporter

(EU MODEL)

LS360

MODEL	CODE
LS360	0915-

CONTENTS

Fig. 1	TRANSMISSION -----	1
Fig. 2	ENGINE -----	6
Fig. 3	FRAME -----	7
Fig. 4	HANDLE -----	9
Fig. 5	CRAWLER -----	11
Fig. 6	PLATFORM -----	13

OREC CO.,LTD

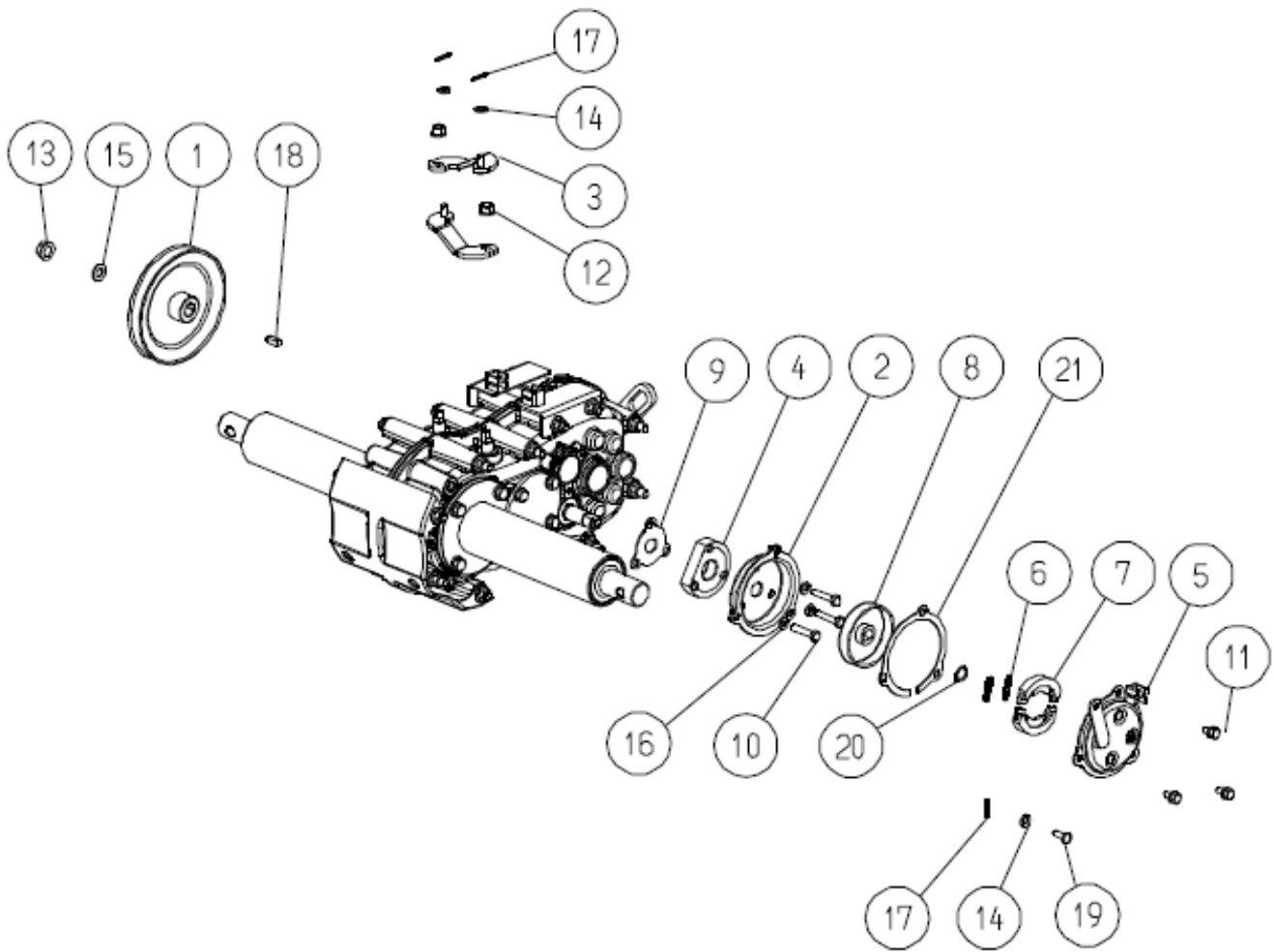
Update : February 2012

MEMO

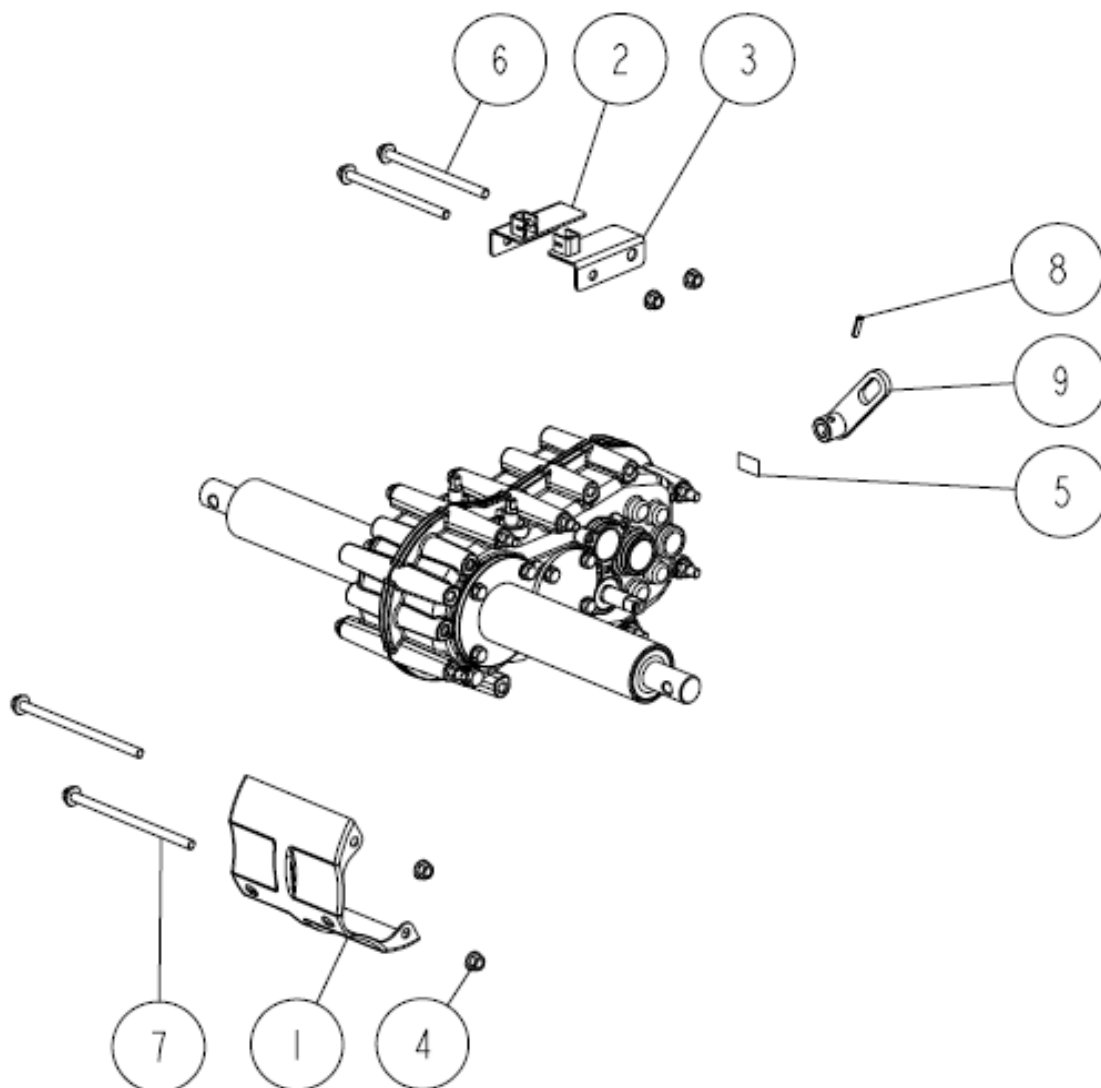
- *1) Interchangeable
- *2) Serial Number : LS360 : ~UB05K00141
- *3) Serial Number : LS360 : UB05K00142~
- *4) Serial Number : LS360 : ~UB06M00005
- *5) Serial Number : LS360 : UB07A00001~
- *6) Serial Number : LS360 : ~UB07A00034
- *7) Serial Number : LS360 : UB07G00035~
- *8) Serial Number : LS360 : ~UB07G00159
- *9) Serial Number : LS360 : UB07H00160~
- *10) Serial Number : LS360 : ~UB08H00210
- *11) Serial Number : LS360 : UB08K00211~
- *12) Serial Number : LS360 : ~UB09H00066
- *13) Serial Number : LS360 : UB10G00007~
- *14) Serial Number : LS360 : UB11A00001~
- *15) Serial Number : LS360 : ~UB11A00078
- *16) Serial Number : LS360 : UB11C00091~
- *17) Serial Number : LS360 : ~UB11C00096
- *18) Serial Number : LS360 : UB12A00001~

Transmission 1/5

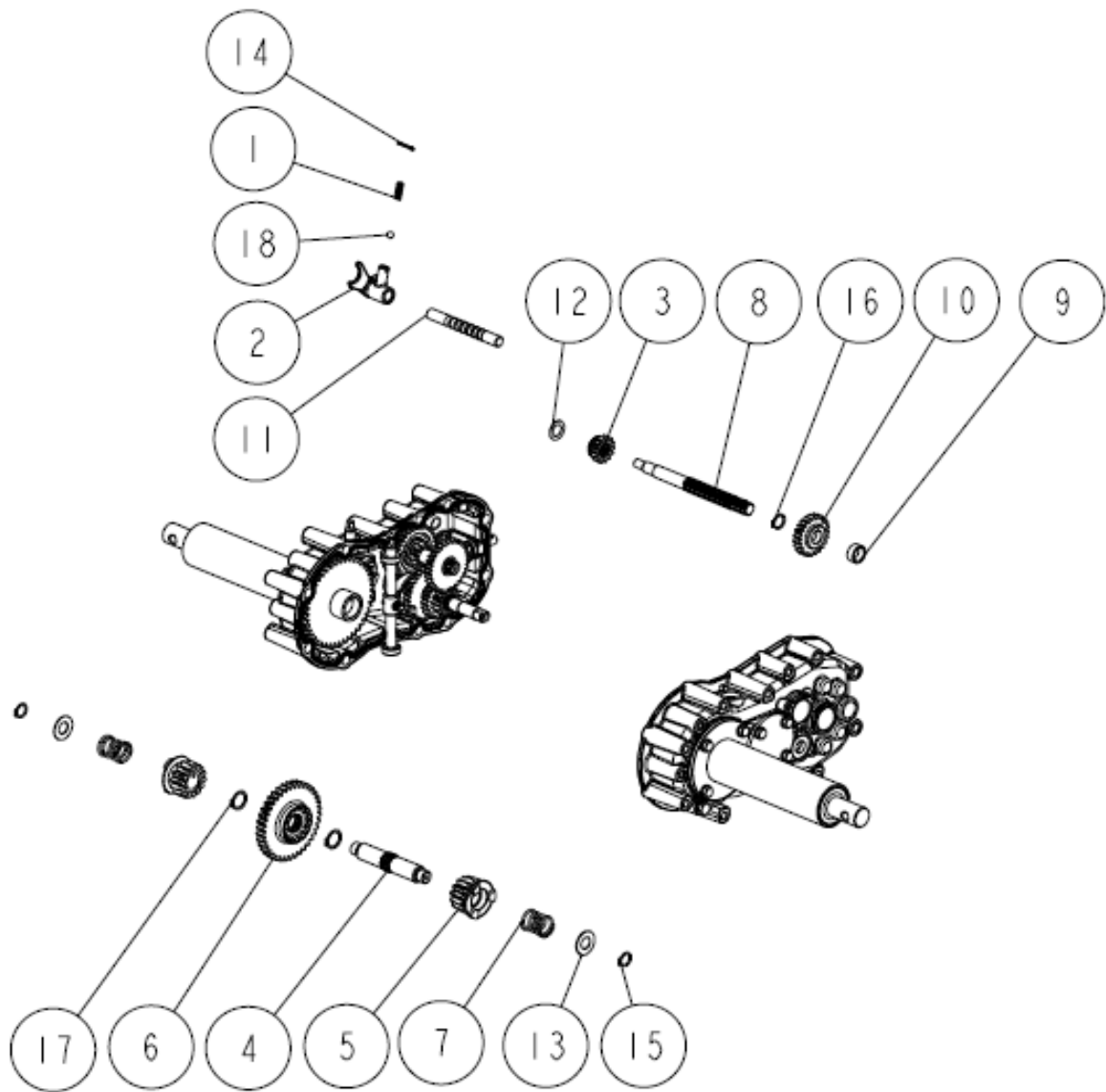
1/14



Ref.	Parts Number	Parts Name	Quantity	Remarks
1	80-1516-521-00	Transmission Pulley	1	Remark 1
2	80-1614-312-00	Brake Cover CMP	1	
3	80-1920-153-00	Side Clutch Arm	2	
4	80-1920-313-00	Brake Cover Spacer	1	
5	85-1445-311-00	Brake (Main Body)	1	
5-8	0914-73000	Brake Assy (W6308)	1	
6	85-1711-317-00	Shoe Return Spring	2	
7	85-1711-316-00	Brake Shoe Set	1	
	85-1711-318-00	Brake Shoe Set	1	*1)
8	85-1445-313-00	Brake Drum	1	
9	85-1445-317-00	Brake Packing (Small)	1	
10	89-1111-060252	Hexagonal Bolt M6*25	3	
11	89-1132-060122	Hexagonal Bolt (SW) M6*12	3	
12	89-1543-080002	Mini Hexagonal Nut (SW) M8	2	
13	89-1631-100042	Flange Mini Hexagonal Nut M10	1	Remark 1
14	89-1711-060002	Flat Washer 6	3	
15	89-1711-100002	Flat Washer 10*18*1.6	1	Remark 1
16	89-1750-060002	Spring Washer 6	3	
17	89-2120-200152	Split Pin 2*15	3	
18	89-2150-050180	Key 5*18 (round)	1	Remark 1
19	89-2181-060162	Flat Head Pin 6*16	1	
20	89-2511-000130	Snap Ring (S13)	1	
21	0211-31800	Brake Packing (Large)	1	
	0915-01000	Transmission Assy LS360	1	Excluding items in Remark 1



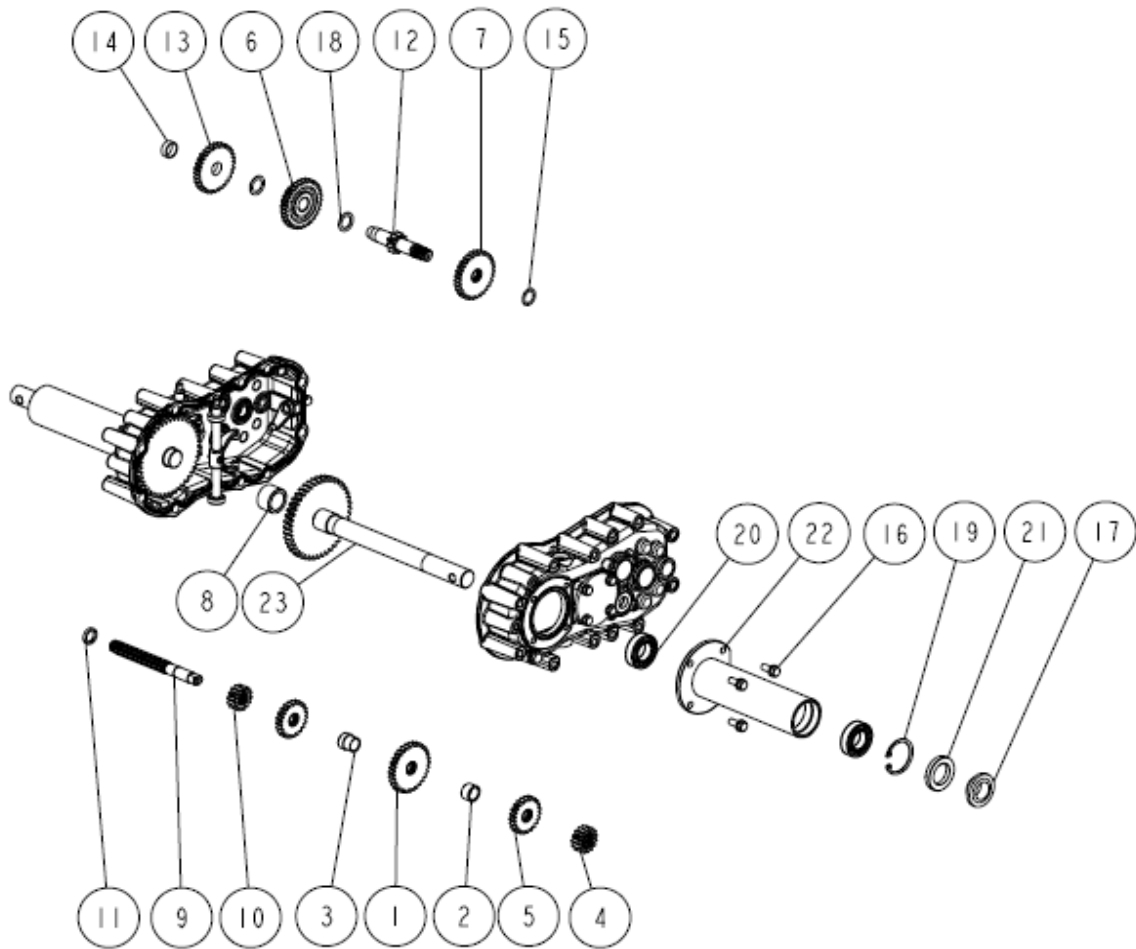
Ref.	Parts Number	Parts Name	Quantity	Remarks
1	80-1920-117-00	Transmission Guard	1	
2	80-1920-197-00	Side Clutch Wire Receiver (L)	1	
3	80-1920-198-00	Side Clutch Wire Receiver (R)	1	
4	83-1484-255-00	Lock Nut ZUF M8	12	
5	83-1712-923-00	Label, Oil Quantity 1.6 L	1	
6	89-1251-081203	Flange Mini Hexagonal Bolt M8*120	6	
7	89-1251-081453	Flange Mini Hexagonal Bolt M8*145	6	
8	89-2111-050020	Spring Pin 5*20	1	
9	0915-01300	Change Arm	1	



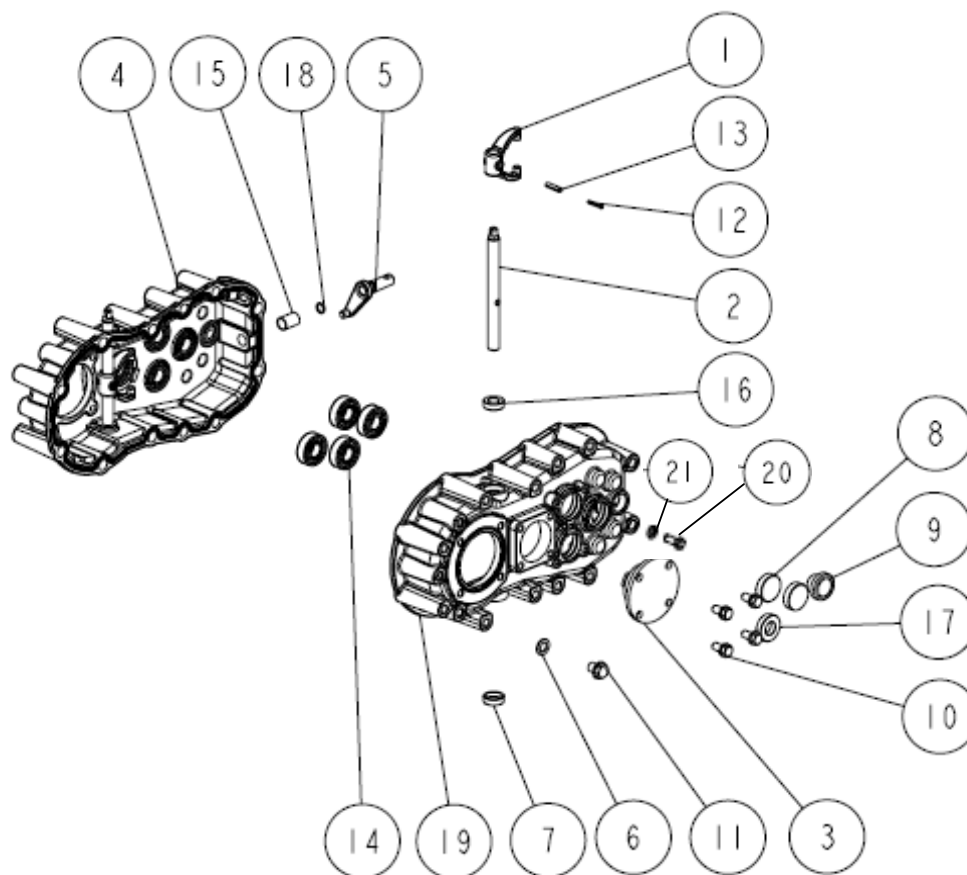
Ref.	Parts Number	Parts Name	Quantity	Remarks
1	80-1310-138-00	Spring 1.4	1	
2	80-1575-108-10	1st Shaft Shift Fork	1	
3	80-1575-120-10	1st Shaft Shift Gear 14T	1	*4)
4	0913-01200	1st Shaft Shift Gear 14T	1	*1) *5)
4	80-1575-140-00	Side Clutch Shaft	1	
5	80-1575-141-00	Side Clutch Gear 14T	2	
6	80-1575-142-00	Side Clutch Gear 38T	1	
7	80-1575-162-00	Side Clutch Spring	2	
8	80-1920-118-10	Main Shaft	1	
9	80-1920-119-00	Collar D	1	
10	80-1920-121-00	Top Gear 23T	1	
11	80-1923-107-00	Shift Fork Shaft	1	
12	83-1020-361-00	Thrust Washer 15*24*1.0	1	
13	83-1633-362-10	Thrust Washer 15*30*1.2	2	
14	89-2120-200202	Split Pin 2*20	1	
15	89-2511-000150	Snap Ring (S15)	2	
16	89-2511-000160	Snap Ring (S16)	1	
17	89-2511-000200	Snap Ring (S20)	2	
18	89-3410-075000	Steel Ball 7.5	1	

Transmission 4/5

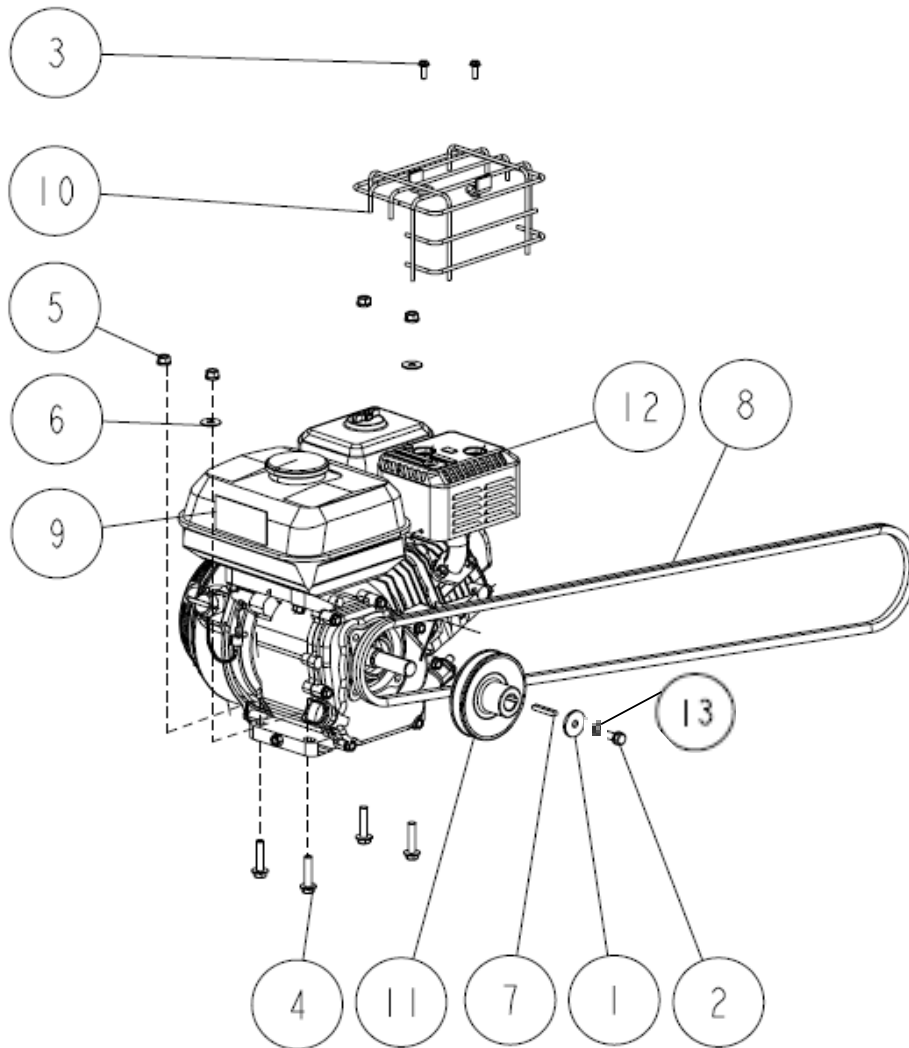
4/14



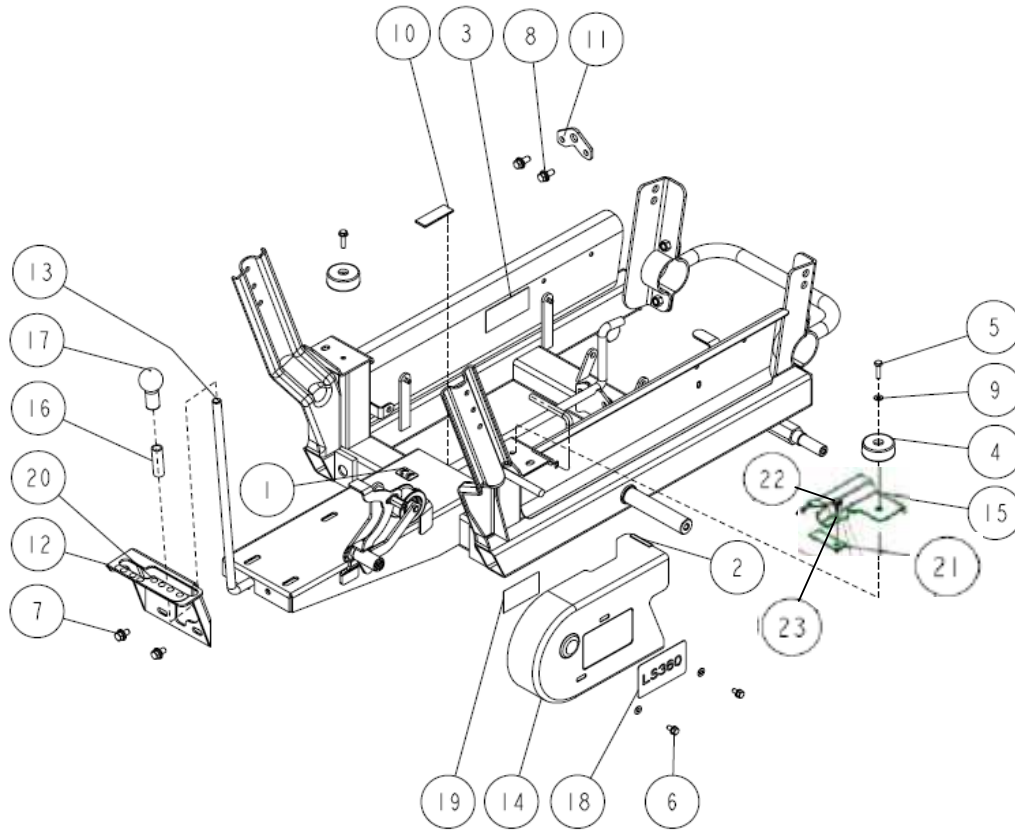
Ref.	Parts Number	Parts Name	Quantity	Remarks
1	80-1920-128-00	2 Shaft Gear 32T		*4)
	0913-01300	2 Shaft Gear 32T	1	*1) *5)
2	80-1920-130-00	Collar A	1	
3	80-1920-131-00	Collar B	1	
4	80-1920-132-00	2 Shaft Gear 15T	1	
5	80-1920-133-00	2 Shaft Gear 23T	2	
6	80-1920-139-00	Back Gear CMP	1	*4)
	0913-01400	Back Gear CMP	1	*1) *5)
7	80-1920-140-00	3 Shaft Gear 31T	1	
8	80-1920-147-00	Axle Collar	1	
9	80-1923-127-00	2 Shaft	1	
10	80-1923-129-00	2 Shaft Gear 14T	1	
11	80-1923-134-00	Collar C	1	
12	80-1923-138-00	3 Shaft	1	
13	80-1923-140-00	3 Shaft Gear 32T	1	*4)
	0913-01500	3 Shaft Gear 32T	1	*1) *5)
14	80-1923-141-00	Collar D	1	
15	83-1017-365-10	Thrust Washer 17*23*1.0	1	
16	83-1415-127-00	Seal Bolt (SW) M8*20	8	
17	83-1415-663-00	Oil Seal AP 30.47.7	2	
18	83-1830-368-00	Thrust Washer 18*26*1.0	2	
19	89-2512-000470	Snap Ring (R47)	2	
20	89-3111-060054	Bearing 6005	4	
21	89-5121-304707	Oil Seal UE 30.47.7	2	
	0914-01100	Axle BB Case	2	
22	0914-01200	Axle	2	



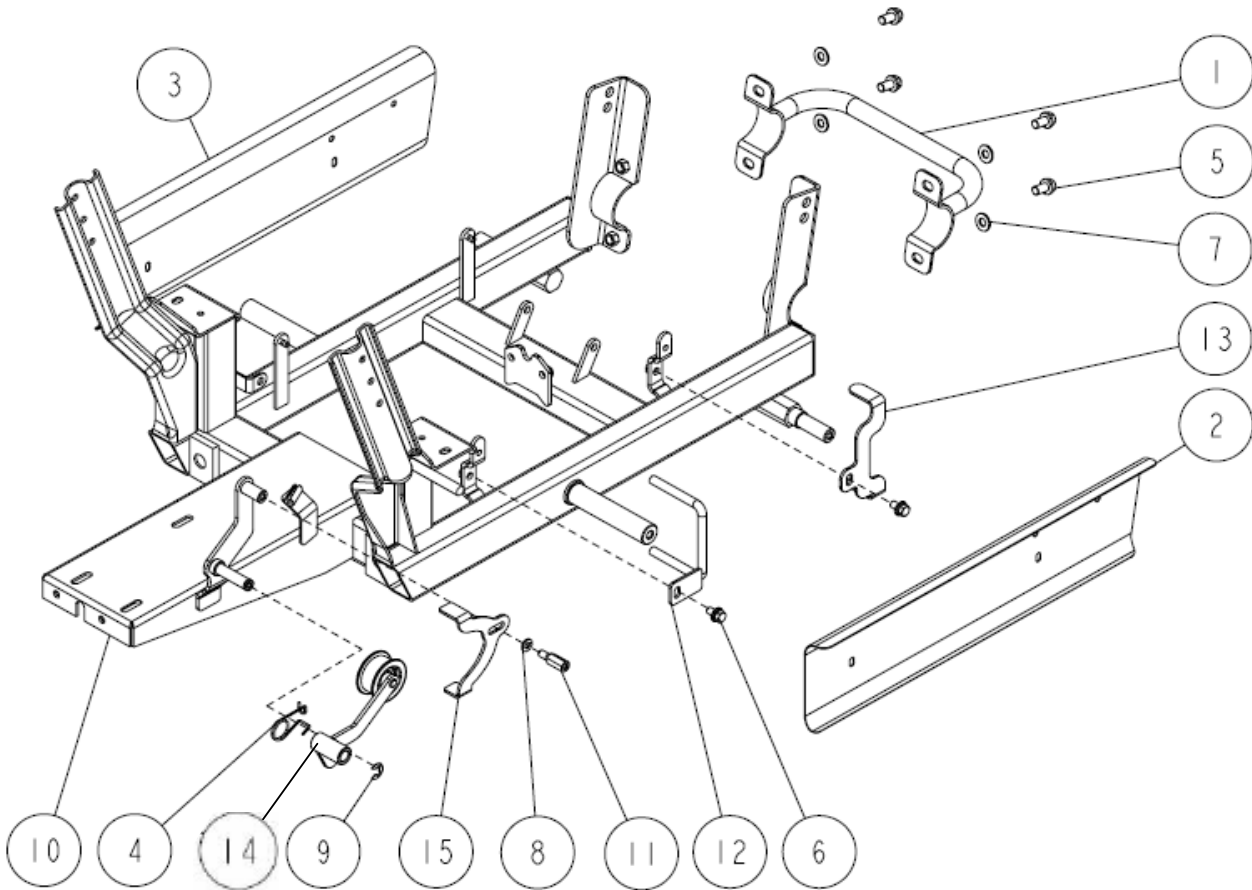
Ref.	Parts Number	Parts Name	Quantity	Remarks
1	80-1415-114-00	Side Clutch Fork	2	
2	80-1425-112-00	Driving Clutch Folk Shaft	2	
3	80-1575-152-10	Side Clutch Shaft BB Case	2	
4	80-1920-103-00	Transmission Case (R)	1	*15)
	0914-00100	Transmission Case (R)	1	*1) *16)
5	80-1920-106-00	Swing Arm	1	
6	83-1020-349-00	Copper Packing 10.5*18*1.6	1	
7	83-1415-671-00	Blind Cover 22	2	
8	83-1415-672-00	Blind Cover 30	4	
9	83-1517-685-00	Oil Cap 20	2	
10	89-1232-080162	Mini Hexagonal Bolt (SW) M8*16	8	
11	89-1252-100123	Flange Mini Hexagonal Bolt M10*12 (slender)	1	
12	89-2111-030020	Spring Pin 3*20	2	
13	89-2111-050020	Spring Pin 5*20	2	
14	89-3111-062024	Bearing 6202	8	
15	89-3510-012200	DU Bush 12.20	1	
16	89-5121-122207	Oil Seal UE 12.22.7	2	
17	89-5121-153007	Oil Seal UE 15.30.7	2	
18	89-5221-009000	O Ring P9	1	
19	0915-00200	Transmission Case (L)	1	*15)
	0915-00900	Transmission Case (L) Set		*1) Including items Remark 2
	0915-00210	Transmission Case (L)	1	*16) Remark 2
20	89-1251-060102	Flange Hexagonal Bolt M6*10	1	*16) Remark 2
21	89-5230-060000	Seal Washer 6	1	*16) Remark 2



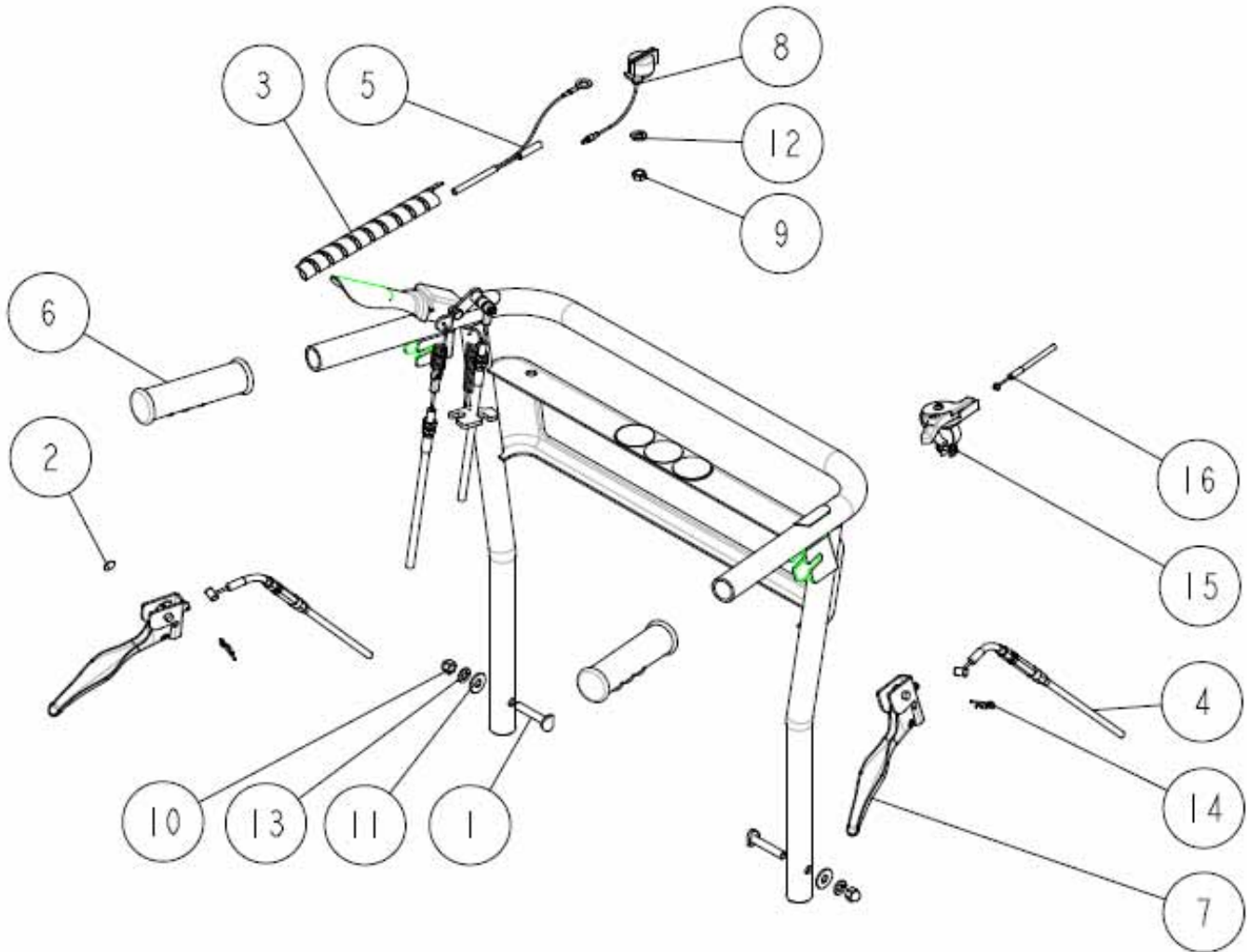
Ref.	Parts Number	Parts Name	Quantity	Remarks
1	83-1020-312-00	Washer 8*30*3.2	1	
2	89-1232-080182	Mini Hexagonal Bolt (SW) M8*18	1	
	89-1253-080252	Flange Mini Hexagonal Bolt (8T) M8*25	1	*1) *11)
3	89-1251-050163	Flange Hexagonal Bolt M5*16	2	HONDA GX120
4	89-1253-080352	Flange Mini Hexagonal Bolt (8T) M8*35	4	
5	89-1543-080002	Mini Hexagonal Nut (SW) M8	4	
6	89-1713-080002	Flat Washer 8 (large)	2	
7	89-2150-050350	Key 5*35 (round)	1	
8	89-6122-007401	V Belt LAR-74	1	
9	0214-72100	Label, Caution for Engine etc	1	HONDA GX120
10	0902-60100	Muffler Guard CMP	1	*17) HONDA
	0915-60200	Muffler Guard CMP	1	*18) HONDA
11	0915-50700	Engine Pulley	1	
12		Engine GM132PN-20D	1	*10) MITSUBISHI
	9011-0820	Engine GB130PN-204	1	*1) *14) MITSUBISHI
	9003-0171	Engine GX120K1 SAR4	1	*17) HONDA
	9003-0271	Engine GX120UT2 SAR4	1	*1) *18) HONDA
13	89-1750-080002	Spring Washer 8	1	*11)



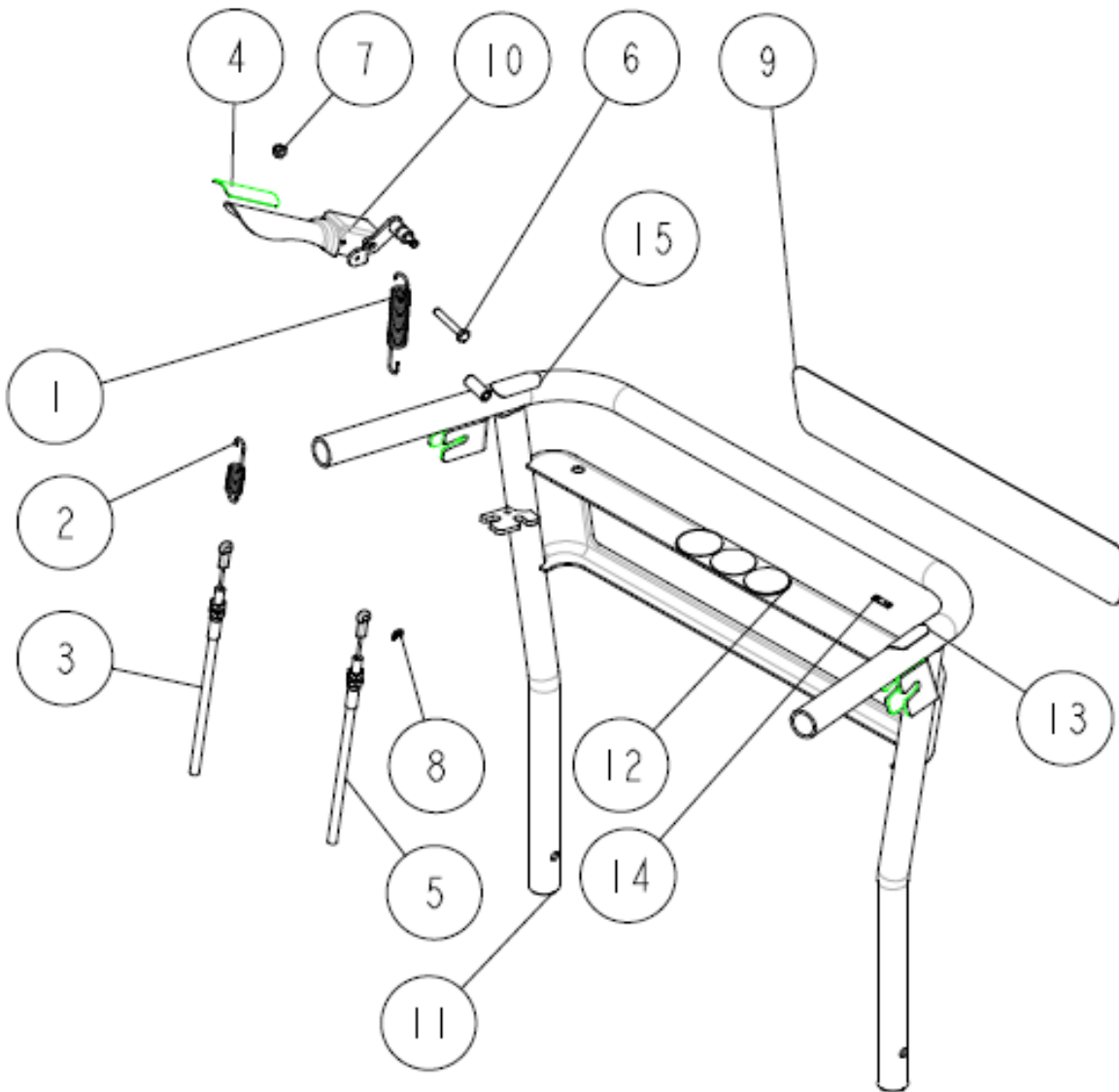
Ref.	Parts Number	Parts Name	Quantity	Remarks
1	80-1010-933-00	Label, CE	1	
2	80-1482-492-00	Rubber L40	1	
3	80-1488-928-10	Label, Caution for Belt Involving	2	
4	80-1920-306-00	Stopper Rubber B-4	2	
5	89-1111-060252	Hexagonal Bolt M6*25	2	
6	89-1132-060122	Hexagonal Bolt (SW) M6*12	2	
7	89-1233-080162	Mini Hexagonal Bolt (PWSW) M8*16	2	
8	89-1233-080202	Mini Hexagonal Bolt (PWSW) M8*20	2	
9	89-1711-060002	Flat Washer 6	4	
10	0207-63300	Left Cover Pad	1	
11	0915-20310	Change Rod Setting	1	
12	0915-20410	Change Guide	1	
13	0915-21110	Shift Rod	1	
14	0915-46300	Belt Cover	1	*8)
	0915-46500	Belt Cover (Mitsubishi)	1	*9) MITSUBISHI
	0915-46600	Belt Cover(Honda)	1	*9) HONDA
15	0915-56700	Sub. Belt Cover	1	
16	0915-70100	Rubber for Shift Rod	1	
17	0915-70200	Grip, Rubber 12.7	1	
18	0915-77100	Label, Model LS360	1	*6)
	0915-77110	Label, Model LS360	1	*7)
19	0915-77200	Label, Belt Size	1	
20	0915-77300	Label, Change	1	
21	0915-56600	Sub. Belt Cover Support	1	*5)
22	89-1132-060122	Hexagonal Bolt (SW) M6*12	1	*5)
23	89-1711-060002	Flat Washer 6	1	*5)



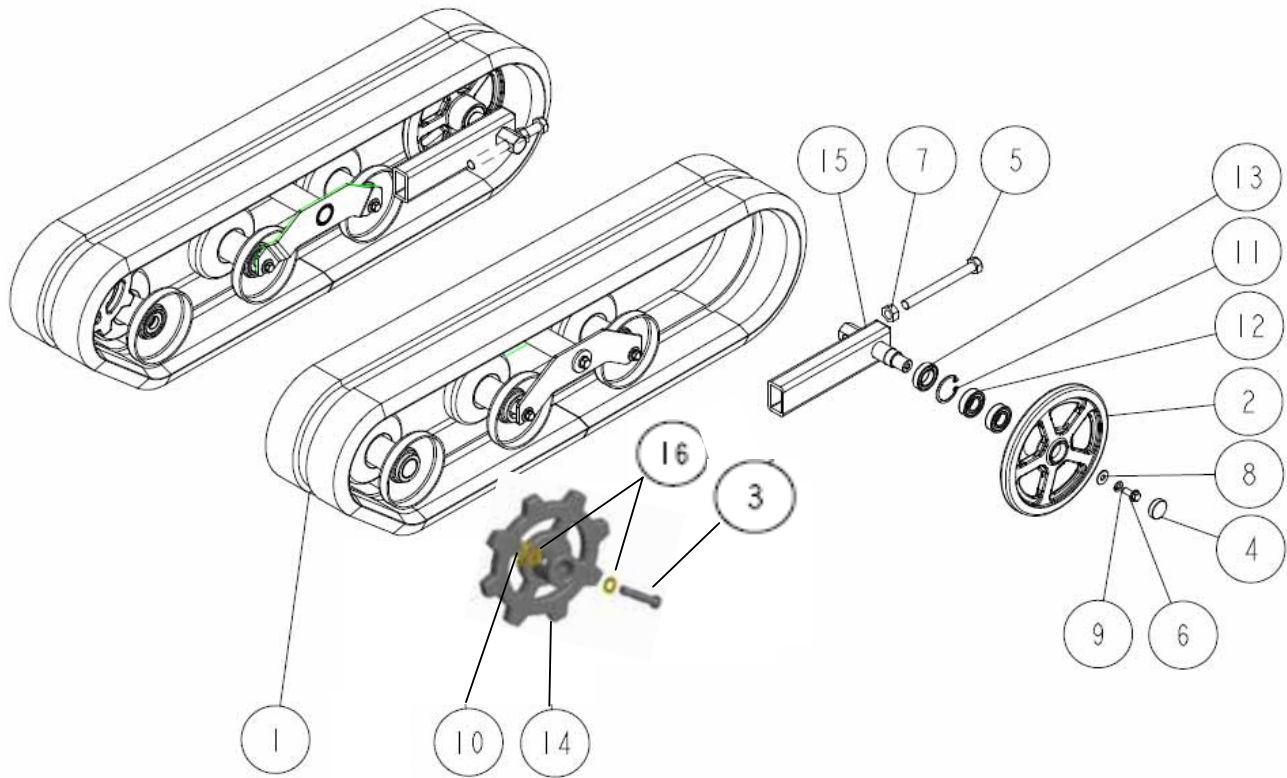
Ref.	Parts Number	Parts Name	Quantity	Remarks
1	80-1920-354-00	Bumper	1	
2	80-1920-751-10	Guard (Right)	1	
3	0915-65200	Guard (Left)	1	
4	80-1923-552-00	Drive Tension Return Spring	1	
5	89-1232-100202	Mini Hexagonal Bolt (SW) M10*20	4	
6	89-1233-080162	Mini Hexagonal Bolt (PWSW) M8*16	2	
7	89-1714-100002	Flat Washer 10	4	
8	89-1750-080002	Spring Washer 8	1	
9	89-2521-000100	E Type Ring 10	1	
10	0915-20110	Frame	1	
11	0915-46400	Belt Cover Setting Bolt	1	
12	0915-50500	Driving Belt Supporter	1	
13	0915-50600	Front Belt Supporter	1	
14	0915-54200	Drive Tension Arm	1	
15	0915-56200	Engine Pulley Belt Holder	1	



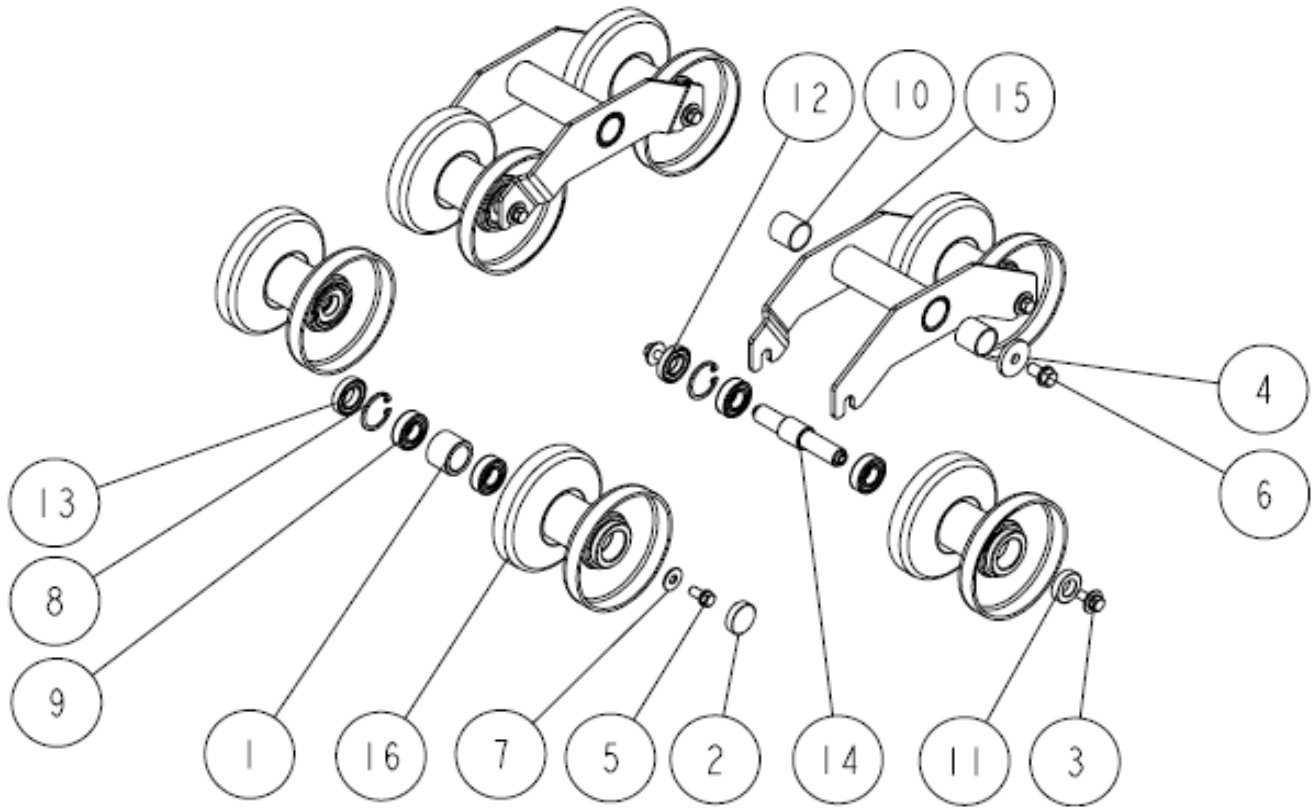
Ref.	Parts Number	Parts Name	Quantity	Remarks
1	80-1021-227-00	Handle Fixing Bolt M8*45	2	
2	80-1610-919-00	Label for Left Screw	1	
3	80-1920-389-00	Spiral Tube	1	mitsubishi
4	83-1920-962-00	Side Clutch Wire	2	
5	80-1923-288-00	Engine Stop Wire Harness	1	mitsubishi
6	83-1560-414-00	Handle Grip 27	2	
7	83-1761-457-00	Side Clutch Lever	2	
8	0016-72500	Engine Stop Switch	1	mitsubishi
9	89-1513-080042	Hexagonal Nut (3 sorts) M8	1	mitsubishi
10	89-1671-080043	Mini Cap Nut M8	2	
11	89-1713-080003	Flat Washer 8 (large)	2	
12	89-1750-080002	Spring Washer 8	1	mitsubishi
13	89-1750-080003	Spring Washer 8	2	
14	89-2131-080002	Snap Pin 8	2	
15	0914-75100	Throttle Wire	1	
	0914-75200	Throttle Lever 27	1	
15,16	0914-75000	Throttle Wire Assy	1	



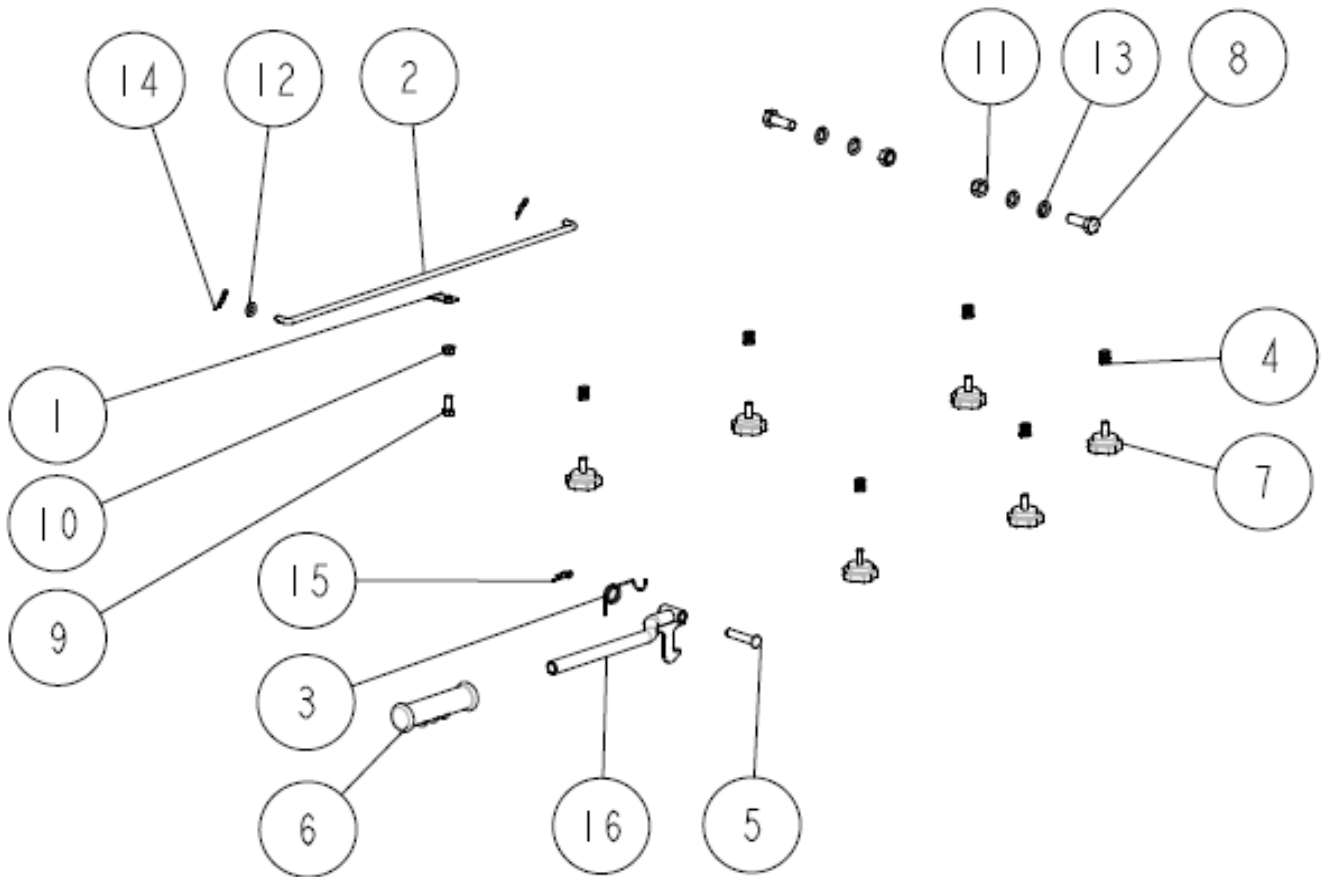
Ref.	Parts Number	Parts Name	Quantity	Remarks
1	80-1920-A04-00	Clutch Lever Return Spring	1	
2	80-1920-A05-00	Spring for Brake Return	1	
3	80-1920-A07-00	Brake Wire	1	
4	80-1920-A09-00	Label, Driving	1	
5	80-1923-961-00	Driving Clutch Wire	1	
6	89-1113-060402	Hexagonal Bolt (8T) M6*40	1	
7	89-1553-060002	Bag Hexagonal U Nut M6	1	
8	89-2521-000050	E Type Ring 5	1	
9	80-1920-901-00	Plate	1	*6)
	0913-73300	Plate	1	*7)
10	0914-80100	Driving Clutch Lever	1	
11	0915-80100	Handle CMP	1	
12	0919-71800	Label, Caution (LS)	1	
13	0919-73200	Label for Side Clutch (R)	1	*5)
14	0919-73300	Label, Engine Stop	1	*5) MITSUBISHI
15	0919-73400	Label for Side Clutch (L)	1	*5)



Ref.	Parts Number	Parts Name	Quantity	Remarks
1	80-1920-401-00	Rubber Crawler 160W*60P*35L	2	
2	80-1920-412-00	Idle Roller	2	
3	83-1210-162-00	Round Headed Pin 10*55	2	*12)
	0282-31300	Axle Pin 10*50	2	*1) *13)
4	83-1415-672-00	Blind Cover 30	2	
5	89-1111-141407	Hexagonal Bolt M14*140	2	
6	89-1253-080202	Flange Mini Hexagonal Bolt (8T) M8*20	2	
7	89-1511-140042	Hexagonal Nut M14	2	
8	89-1713-080002	Flat Washer 8 (large)	2	
9	89-1750-080002	Spring Washer 8	2	
10	89-2132-100002	Snap Pin 10 (with stopper)	2	
11	89-2512-000420	Snap Ring (R42)	2	
12	89-3115-060044	Bearing 6004 2RS	4	
13	89-5121-254210	Oil Seal UE 25.42.10	2	
14	0914-30100	Driving Sprocket	2	*4)
	0913-31100	Driving Sprocket	2	*1) *5)
15	0914-30400	Induction Ring Attachment	2	
16	89-1711-100002	Flat Washer 10*18*1.6	2	*13)



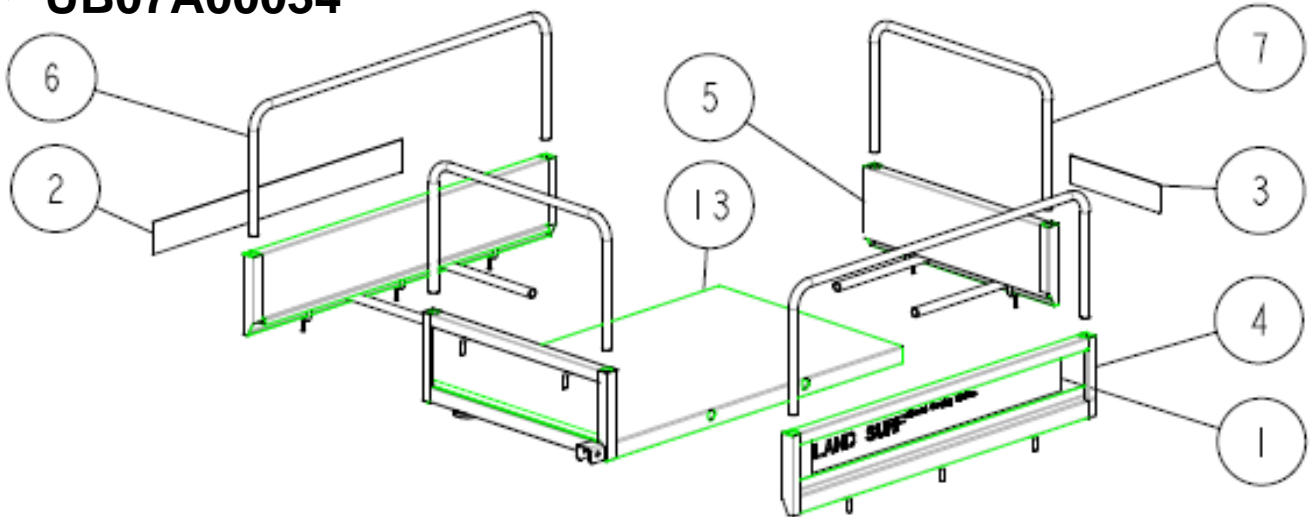
Ref.	Parts Number	Parts Name	Quantity	Remarks
1	80-1920-142-00	Spacer for Turn Wheel	2	
2	83-1415-672-00	Blind Cover 30	2	
3	83-1490-114-00	Mini Hexagonal Bolt (PWSW) M8*20	8	*2)
	89-1233-080202	Mini Hexagonal Bolt (PWSW) M8*20	8	*1) *3)
4	83-1610-321-00	Washer 10*36*4.5	2	
5	89-1232-080182	Mini Hexagonal Bolt (SW) M8*18	2	
	89-1232-080162	Mini Hexagonal Bolt (SW) M8*16	2	*1)
6	89-1232-100202	Mini Hexagonal Bolt (SW) M10*20	2	
7	89-1713-080002	Flat Washer 8 (large)	2	
8	89-2512-000350	Snap Ring (R35)	6	
9	89-3115-060034	Bearing 6003 2RS	12	
10	89-3511-025250	DU Bush 25.25.36F	4	*2)
	89-3510-025250	DU Bush 25.25	4	*1) *3)
11	89-5121-173008	Oil Seal UE 17.30.8	4	
12	89-5121-173507	Oil Seal UE 17.35.7	4	
13	89-5121-203508	Oil Seal UE 20.35.8	2	
14	0914-30200	Shaft for Turn Wheel Setting	4	
15	0914-30300	Turn Wheel Setting	2	
16	0914-30500	Turn Wheel	6	



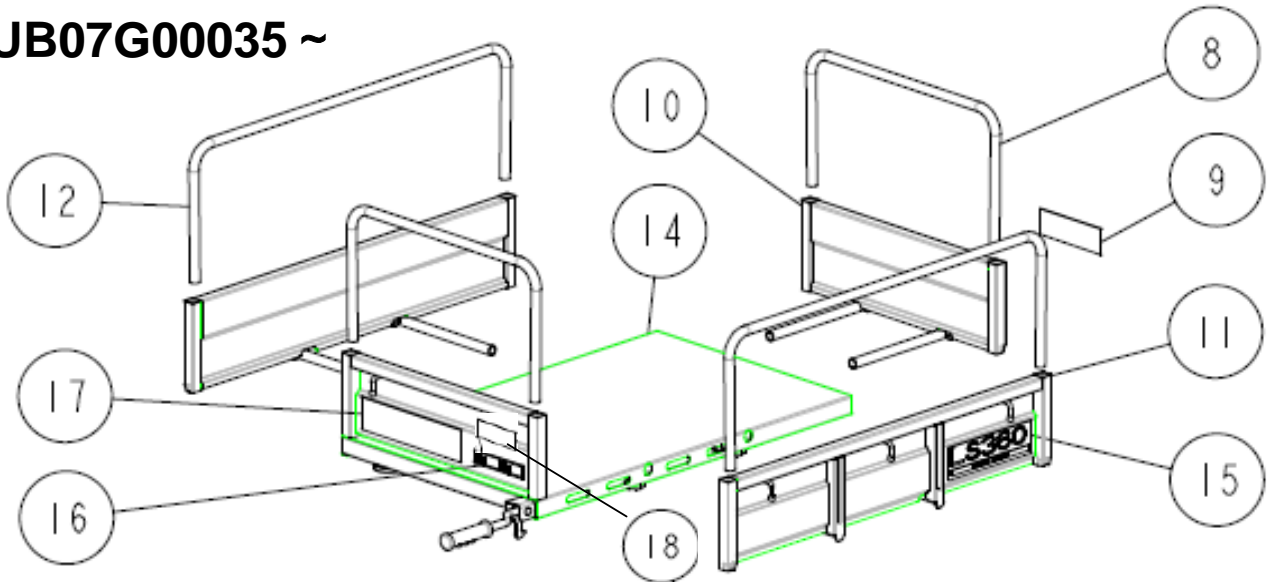
Ref.	Parts Number	Parts Name	Quantity	Remarks
1	80-1920-674-00	Fix Spring	1	
2	80-1920-711-00	Platform Support Bar	1	
3	80-1920-716-00	Platform Lock Spring	1	
4	80-1920-717-00	Knob Spring for Platform	6	
5	83-1210-162-00	Round Headed Pin 10*55	1	
6	83-1654-433-00	Lock Lever Grip	1	
7	83-1920-102-00	Knob Bolt M8*20	6	
8	89-1113-120352	Hexagonal Bolt (8T) M12*35	2	*12)
	89-1113-120402	Hexagonal Bolt (8T) M12*40	2	*1) *13)
9	89-1211-080202	Mini Hexagonal Bolt M8*20	1	
10	89-1543-080003	Mini Hexagonal Nut (SW) M8	1	
11	89-1551-120002	Hexagonal U Nut M12	2	
12	89-1711-080002	Flat Washer 8	1	
13	89-1711-120002	Flat Washer 12	4	
14	89-2131-080002	Snap Pin 8	2	
15	89-2131-100002	Snap Pin 10	1	
16	80-1924-706-00	Platform Stopper	1	*6)
	0915-61100	Platform Stopper	1	*1) *7)

Platform 2/2

~ UB07A00034



UB07G00035 ~



Ref.	Parts Number	Parts Name	Quantity	Remarks
1	80-1920-904-00	LS Label (L)	1	*6)
2	80-1920-905-00	LS Label (R)	1	*6)
3	80-1920-906-00	Label, OREC	1	*6)
4	80-1923-724-00	Side Frame for Platform	2	*6)
5	80-1923-725-00	Front Frame for Platform	1	*6)
6	80-1923-734-00	Side Pipe for Platform	2	*6)
7	80-1923-735-10	Front Pipe for Platform	2	
8	80-1923-735-10	Front Pipe for Platform	2	
9	0913-73200	Label, Front	1	*7)
10	0914-60300	Front Frame for Platform	1	*7)
11	0914-60400	Side Frame for Platform	2	*7)
12	0914-61200	Side Pipe for Platform	2	*7)
13	0915-60100	Platform	1	
14	0915-60100	Platform	1	
15	0915-77110	Label, Model LS360	2	*7)
16	0915-78100	Label,Loading Capacity 350	1	*6)
	0915-77400	Label,Loading Capacity (Inclination) 170	1	*7)
17	0919-71700	Label, Caution (Large)	1	*7)
18	0914-77600	Label,Caution	1	*7)